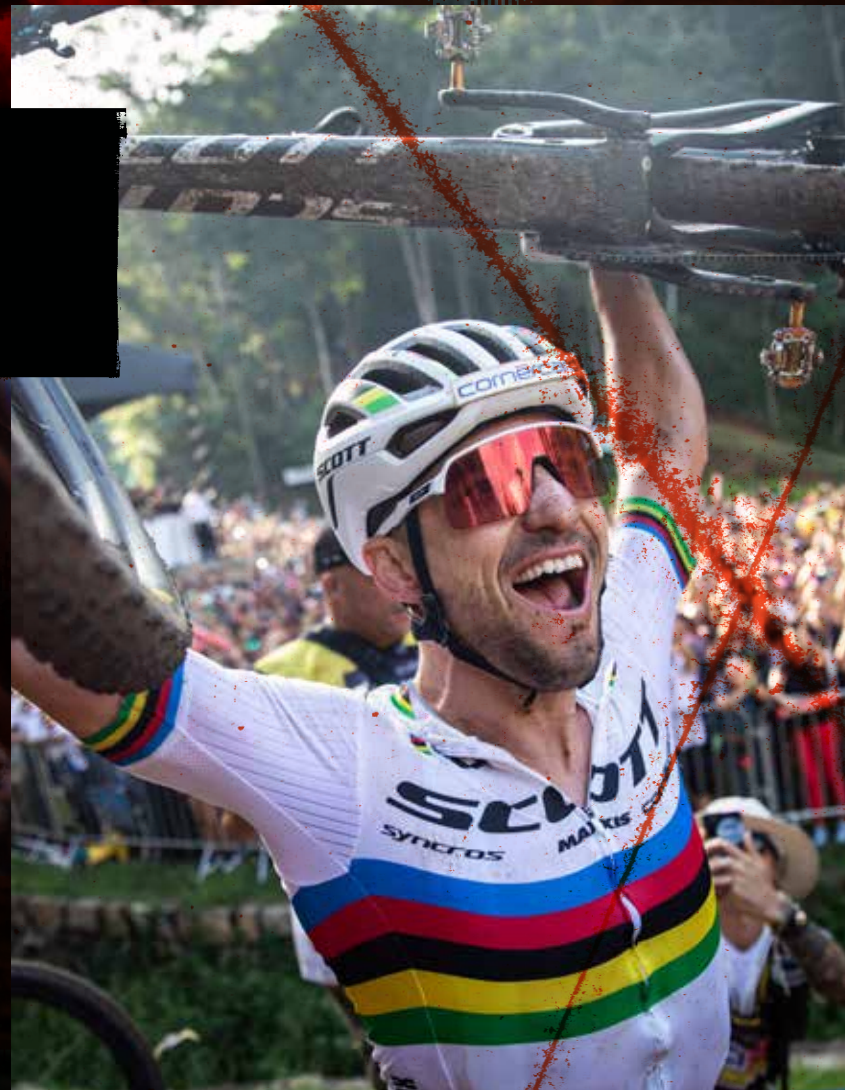



2023 BICYCLE CATALOG

TREAD VICTORIOUSLY

MAXXIS







At Maxxis, we strive to provide the highest quality products and service with the goal of creating lifelong Maxxis customers.

From design to production, from the factory floor to your favorite road or trail, Maxxis products lead the way in technological advances. For bicycle, automotive, light truck, ATV, motorcycle, kart, trailer and lawn & garden, Maxxis provides the quality customers have come to depend on.

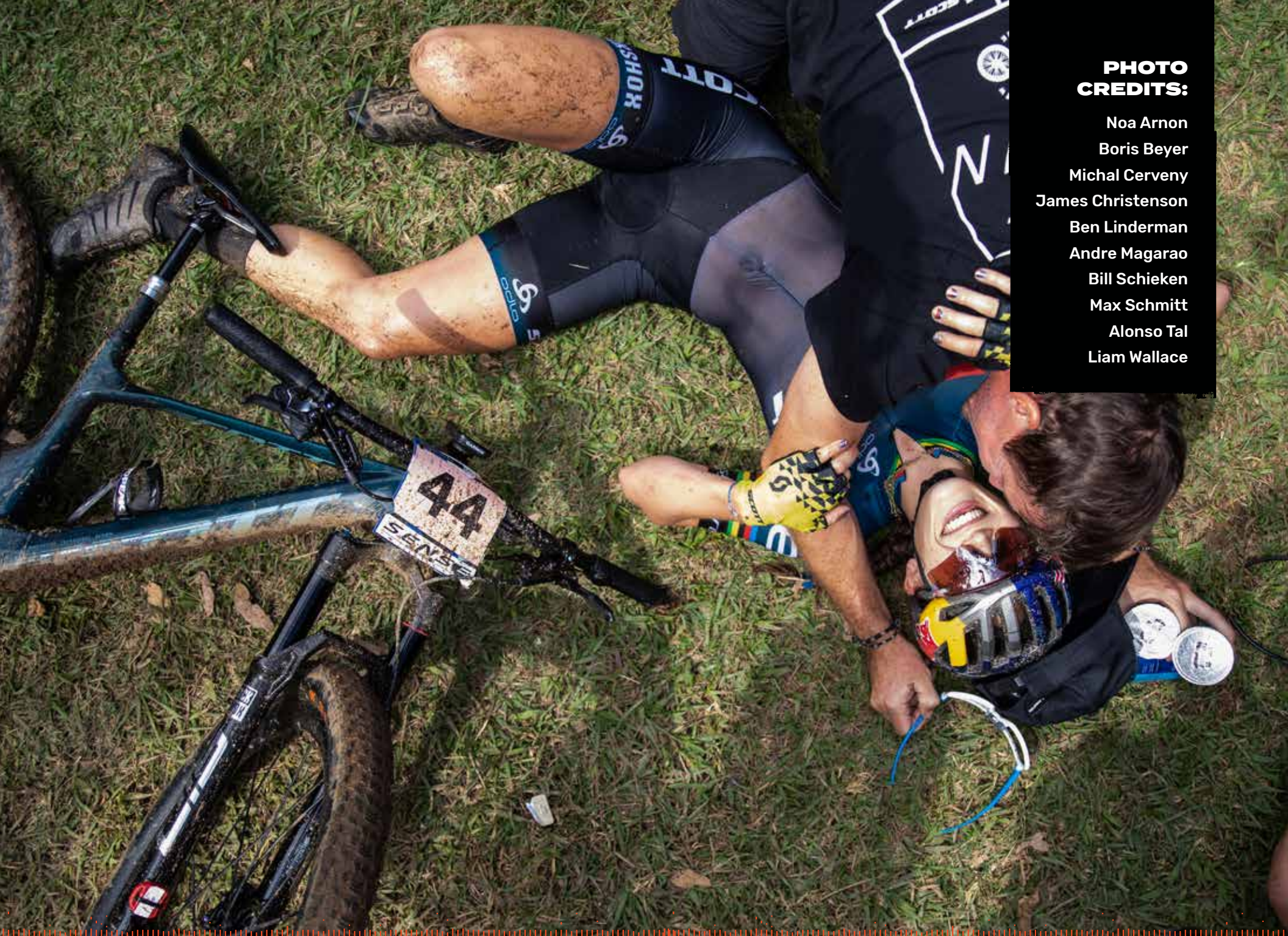
Total customer satisfaction has been Maxxis' guiding purpose since 1967. Working toward this goal has built Maxxis into the successful, worldwide company it is today. Champions around the world choose Maxxis because they know that our extensive product research, unique designs and rigorous testing standards produce tires that elevate riders to the next level.

For more information on the entire Maxxis product line, visit us at **[maxxis.com](https://www.maxxis.com)**.

Maxxis makes every effort to ensure the accuracy of the information we publish. Maxxis is not responsible for errors or misprints in our materials. Specifications and item availability are subject to change without notice. Actual weights and measurements may vary from those published herein. Weights are listed in grams. ©2022 Maxxis International. All rights reserved.

CONTENTS

CONSTRUCTION	5	SUPER TACKY	9	ARDENT RACE	20	FAT/PLUS	31
BASIC TIRE CONSTRUCTION	6	HYPR & HYPR-S TRIPLE COMPOUND (3C)	9	ARDENT	20	FREERIDE	31
TIRE BEAD	6	3C MAXXSPEED	9	REKON	20	DOWNHILL	31
WIRE BEAD	6	3C MAXXTERRA	9	FOREKASTER	20	SPEC TABLES	33
FOLDABLE BEAD	6	3C MAXXGRIP	9	AGGRESSOR	21	TIRE SAFETY	57
CARBON FIBER BEAD	6			DISSECTOR	21		
CASING	6	ROAD	11	MINION DHF	21		
SINGLE-PLY CASING	6	RE-FUSE	12	MINION DHR II	21		
DUAL-PLY CASING	6	PURSUER	12	HIGH ROLLER II	24		
WIDE TRAIL CONSTRUCTION	6	HIGH ROAD	12	ASSEGAI	24		
THREADS PER INCH (TPI)	6	HIGH ROAD SL	12	SHORTY	24		
TUBELESS READY	6			WETSCREAM	24		
TUBULAR	6	COMMUTER/ CARGO	13	E-MTB	25		
RECOMMENDED RIM WIDTH TO TIRE SIZE	6	DTR-1	13	FOREKASTER	26		
		RE-VOLT	14	MINION DHF	26		
		ROAMER	14	MINION DHR II	26		
PROTECTION	7	METROPASS/ METROPASS PRO	14	ASSEGAI	26		
SILKWORM	7	METROLOADS/ METROLOADS PRO	14	BMX/TRIALS	27		
K2	7			DTH	28		
ZK	7	GRAVEL	15	TORCH	28		
SILKSHIELD	7	RECEPTOR	16	GRIFTER	28		
MAXXSHIELD	7	RAMBLER	16	HOOKWORM	28		
BUTYL INSERT	7	RAVAGER	16	HOLY ROLLER	29		
EXO	8	MOUNTAIN	17	CREEPY	29		
EXO+	8	REKON RACE	18	CRAWLER F & R			
DOUBLEDOWN	8	ASPEN	18	TUBES	31		
DOWNHILL	8	CROSSMARK II	18	FLYWEIGHT	31		
RUBBER COMPOUNDS	9	IKON	18	ULTRALIGHT	31		
SINGLE COMPOUND	9			WELTERWEIGHT	31		
DUAL COMPOUND	9						

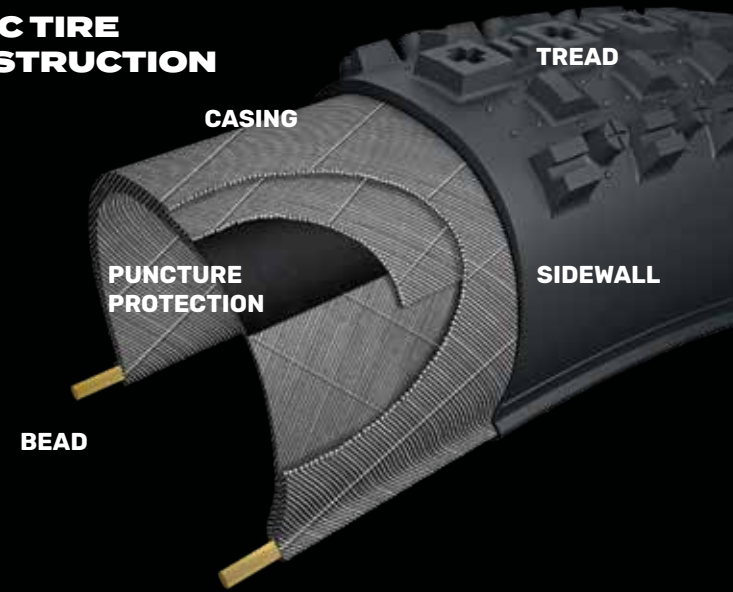


**PHOTO
CREDITS:**

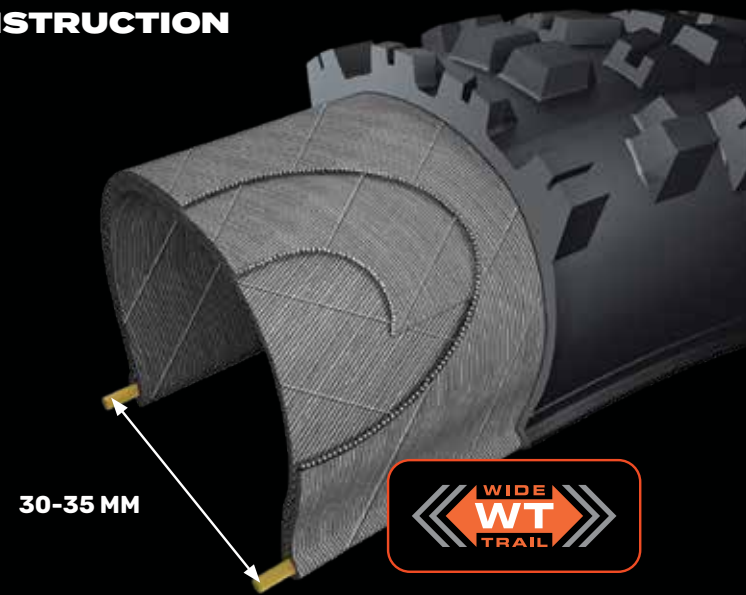
- Noa Arnon
- Boris Beyer
- Michal Cerveny
- James Christenson
- Ben Linderman
- Andre Magarao
- Bill Schieken
- Max Schmitt
- Alonso Tal
- Liam Wallace



BASIC TIRE CONSTRUCTION



WIDE TRAIL CONSTRUCTION



TIRE BEAD

The bead keeps the tire in contact with the rim while the tire is inflated.

WIRE BEAD

A rigid metal wire is utilized as bead material in applications where ultimate strength is needed and transportability is not a factor.

FOLDABLE BEAD

Foldable beads also keep the tire secured to the rim but are lighter weight and easily transported. The bead is made of spun aramid fibers.

CARBON FIBER BEAD

A folding bead material with greater strength to withstand the forces exerted by a high-pressure road tire.

CASING

SINGLE-PLY CASING

One layer of nylon wrapped from bead to bead. A single-ply casing conforms well to the terrain and is lighter weight.

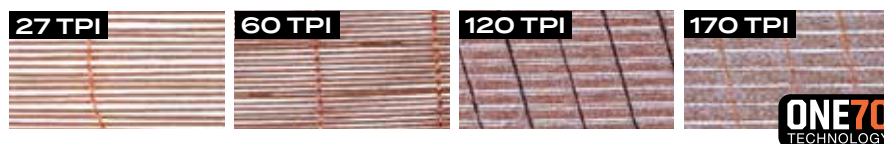
DUAL-PLY CASING

Two layers of casing material are used from bead to bead, providing additional protection and sidewall stiffness for enduro and downhill applications.

THREADS PER INCH (TPI)

The number of threads that cross through one square inch of a single ply of the tire's casing. Lower TPI gives better puncture, cut and abrasion resistance but is heavier. Higher TPI conforms better to the terrain, offering a smoother, more comfortable ride while reducing the weight of the tire. Maxxis uses 27, 60, 120 or 170 TPI casings depending on the application.

Maxxis TPI ratings are the threads per inch of a single layer of casing as compared to some competitor TPI ratings.



WIDE TRAIL CONSTRUCTION

Wide Trail (WT) construction optimizes the tire's tread layout and profile to match today's modern, wider rims. Maxxis offers WT tires for everything from XC to gravity applications. A 30mm internal width rim is ideal for most applications, but WT tires can be used on rims ranging from 19mm to 35mm internal.

RECOMMENDED RIM WIDTH TO TIRE SIZE

Pairing your preferred tire width with the appropriate rim width will allow for optimal performance. To assist in the process, Maxxis has added recommended minimum and maximum rim widths for a given tire size. This information is available in the spec tables in the back of the catalog.

INTENDED USE	TIRE WIDTH	INNER RIM WIDTH
XC RACING	2.00"-2.20" tire	20-25mm
LIGHT TRAIL	2.20"-2.40"	25-30mm
AM/ENDURO	2.30"-2.50" 2.60"	28-35mm 35-40mm
PLUS	2.80"-3.00"	40-45mm
FAT	3.80"-4.00" 4.80"	70-80mm 90-100mm

TUBELESS READY

Tubeless tires provide the rider with many benefits: the ability to run lower air pressures, which improves traction; lower rolling resistance when compared to a tube-type tire; and less chance of flattening because there is no tube. Liquid sealants should only be used in the following types of tires: tubeless road, tubular and tubeless-ready. The use of liquid sealants in any other Maxxis tire will void the warranty.

TUBULAR

A traditional tire construction in which the tire casing is sewn or wrapped around an inner tube. These types of tires must be glued or taped onto tubular-specific rims.

Casings are supplemented with additional puncture protection layers to suit specific riding disciplines. Material can be added around the bead, in the sidewall, beneath the tread, extended from bead to bead or some combination thereof.



SILKWORM

An under-tread puncture protection layer suitable for everyday use.



K2

A lightweight and supple under-tread puncture protection layer suitable for racing applications.



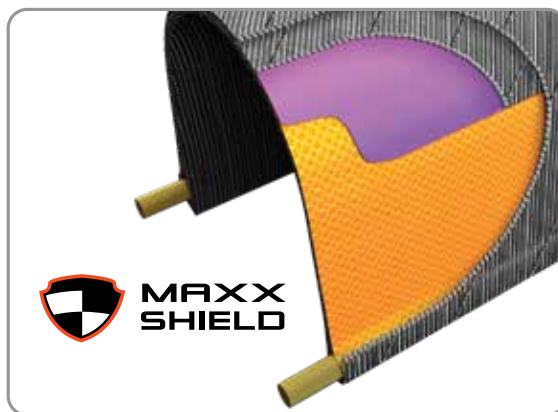
ZK

Our lightest and most supple under-tread puncture protection layer suitable for racing applications.



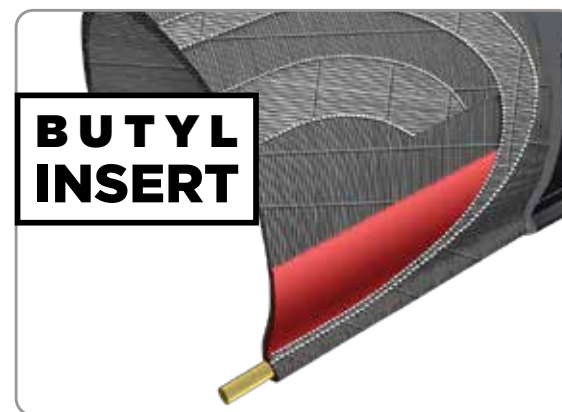
SILKSHIELD

A version of our Silk Worm material that extends from bead to bead.



MAXXSHIELD

A combination of SilkShield bead-to-bead and K2 under-tread puncture protections which creates an extremely durable tire suitable for demanding conditions.

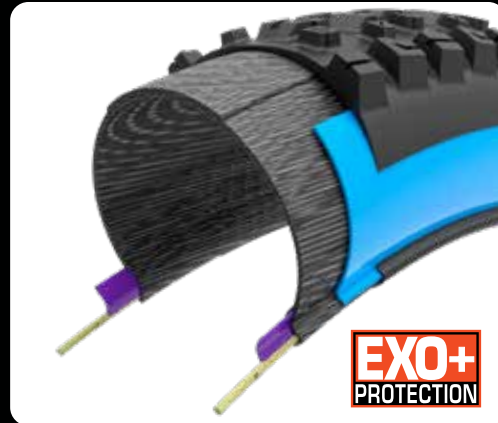


BUTYL INSERT

A rubber material added around the bead to ward off pinch flats and rim damage.

**EXO**

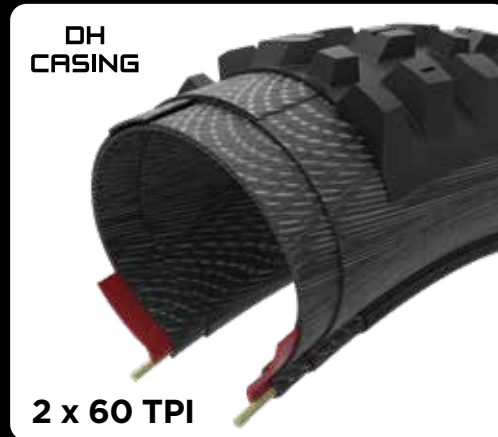
A cut and abrasion-resistant material added to the sidewalls of many of our gravel and MTB tires. Suitable for use in a wide range of riding applications from gravel to XC to light trail duty.

**EXO+**

EXO+ builds on our EXO technology with the addition of a small butyl insert around the bead. EXO+ is ideal for trail riding in moderately demanding terrain.

**DOUBLEDOWN**

DoubleDown (DD) is Maxxis' solution for enduro racing. Two 120 TPI casing layers reinforced with a butyl insert provide the enduro racer with the support and protection of a downhill tire, but in a more compliant package.

**DOWNHILL**

Maxxis' Downhill (DH) casing consists of two layers of 60 TPI casing combined with a large butyl insert, resulting in the most durable construction on offer. Choose the DH casing for riding where maximum durability and support are required.

Above all, Maxxis is known for the quality and performance of its rubber compounds. Rubber compounds are tailored to meet the needs of specific riding disciplines or conditions. Maxxis can produce tires with one, two or three individual rubber compounds depending on the intended application.

SINGLE COMPOUND

One rubber compound is used throughout the tread of the tire.

DUAL COMPOUND

Two distinct rubber compounds are used within the tread to offer a balance between rolling resistance and grip.

SUPER TACKY

Maxxis' slow-rebounding, high-traction compound for slippery downhill race conditions.

HYPR & HYPR-S

Maxxis' full-silica, low rolling resistance compounds developed specifically for road bike racing.

TRIPLE COMPOUND (3C)

Maxxis' 3C tires use a firm base rubber to reduce rolling resistance and progressively softer rubber on outer layers to optimize traction.



3C MAXXSPEED

A fast-rolling formulation of our triple compound, best for XC racing applications.



3C MAXXTERRA

An intermediate triple compound suitable for all-around trail riding.



3C MAXXGRIP

A high-traction, slow-rebounding compound intended for enduro and DH.





ROAD

RE-FUSE

INTENDED USE: **ENDURANCE** TRAINING ALL-AROUND RACE

Maxxis' most popular road training tire, providing excellent training and commuting dependability thanks to its ultra-durable MaxxShield puncture protection.

- M200
- Bulletproof training tire
- MaxxShield puncture protection

PURSUER

INTENDED USE: ENDURANCE **TRAINING** ALL-AROUND RACE

The Pursuer is a sport-level clincher, perfect for riders who want solid performance and durability without breaking the bank.

- M225
- Sport-level tire
- High-mileage rubber compound

HIGH ROAD

NEW SPECS

INTENDED USE: ENDURANCE TRAINING **ALL-AROUND** RACE

Maxxis' all-purpose road race tire, the High Road was recently refreshed with a new lighter weight casing, upgraded puncture protection and a revised tread pattern.

- M228
- Pro-level competition tire
- Low rolling resistance HYPR rubber compound

HIGH ROAD SL

NEW SPECS

INTENDED USE: ENDURANCE TRAINING ALL-AROUND **RACE**

The Maxxis High Road SL is our lightest and fastest road racing tire, ever. Our HYPR-S compound offers even lower rolling resistance compared to the standard High Road.

- M226
- Race use only
- Our lightest and fastest road tire

DTR-1



Inspired by the dirt track racing tire from our motorcycle division, the Maxxis DTR-1 is sure to up the cool factor on your townie bike.

- M7302
- High-volume casing



**COMMUTER/
CARGO**

BERGAMO

MAXXIS METROL DTR-1 PDR 26x1.50-622 350

RE-VOLT

The Re-Volt is designed for use on electric commuter bikes with a smooth center tread and a robust casing construction to increase cargo capacity.

- M2021
- E50 e-bike certification
- 3mm tread thickness for extra durability

ROAMER

The Roamer is ready for anything from your daily commute to a long weekend of touring the backroads.

- M2016
- Grooved slick tread design

METROPASS/METROPASS PRO

The Maxxis Metropass and Metropass Pro are designed for bicycle commuters in urban areas who demand a durable and reliable tire. The Metropass Pro uses a dual-ply casing for enhanced durability.

- M2028
- New tread pattern
- E50 e-bike certification

METROLOADS/METROLOADS PRO

The Metroloads family of tires is Maxxis' solution for cargo bikes. A heavy duty casing and thick tread extrusion ensure you can load up your cargo without worry. The Metroloads Pro uses a dual-ply casing for even more durability.

- M2029
- New tread pattern
- E50 e-bike certification



GRAVEL

RECEPTOR

HARDPACK	LOOSE/HARD	MEDIUM	LOOSE	WET	MUD
-----------------	-------------------	---------------	--------------	------------	------------

The Maxxis Receptor is a semi-slick gravel tire designed for riding on pavement, hard-packed dirt roads and light gravel.

- M2027
- Semi-slick gravel tire

RAMBLER

HARDPACK	LOOSE/HARD	MEDIUM	LOOSE	WET	MUD
-----------------	-------------------	---------------	--------------	------------	------------

With tightly-packed center knobs and ample side knobs, the Maxxis Rambler is our do-it-all gravel tire suitable for a wide range of riding and racing applications.

- M2018
- Do-it-all gravel tire

RAVAGER

HARDPACK	LOOSE/HARD	MEDIUM	LOOSE	WET	MUD
-----------------	-------------------	---------------	--------------	------------	------------

When road conditions are unknown, choose the Maxxis Ravager. Large side knobs provide extra traction in deep, loose gravel and mud.

- M2020
- Aggressive tread for loose, chunky gravel





MOUNTAIN

REKON RACE

HARDPACK	LOOSE/HARD	MEDIUM	LOOSE	WET	MUD
----------	------------	--------	-------	-----	-----

Featuring the lowest tread height in the Maxxis XC line, the Rekon Race is perfect for riding and racing in dry conditions.

- M355
- Semi-slick XC race tire
- Wide Trail (WT) sizes available

ASPEN

HARDPACK	LOOSE/HARD	MEDIUM	LOOSE	WET	MUD
----------	------------	--------	-------	-----	-----

The Aspen's combination of low rolling resistance and predictable cornering make it the go-to option for Maxxis' pro XC athletes on race day.

- M316
- Low-profile XC race tire
- Wide Trail (WT) sizes available

CROSSMARK II

HARDPACK	LOOSE/HARD	MEDIUM	LOOSE	WET	MUD
----------	------------	--------	-------	-----	-----

A nearly continuous center tread with ample side knobs allows the Crossmark II to roll fast while still finding traction in loose soil.

- M344
- Blends rolling speed with cornering control

IKON

HARDPACK	LOOSE/HARD	MEDIUM	LOOSE	WET	MUD
----------	------------	--------	-------	-----	-----

The Maxxis Ikon is a versatile XC tire designed to perform in a broad range of trail conditions. With predictable handling, the Ikon is also a favorite of our slopestyle athletes.

- M319
- A highly versatile XC tread



ARDENT RACE



HARDPACK **LOOSE/HARD** **MEDIUM** **LOOSE** **WET** **MUD**

The Maxxis Ardent Race shares many features with the Ikon – small, ramped center tread – but offers improved cornering performance with more substantial side knobs.

- M329
- Ideal for technical XC terrain

ARDENT



HARDPACK **LOOSE/HARD** **MEDIUM** **LOOSE** **WET** **MUD**

An aggressive tread pattern on a high-volume casing makes the Ardent one of Maxxis' top-selling light-duty trail tires.

- M315/M332
- Light-duty trail tire

REKON



HARDPACK **LOOSE/HARD** **MEDIUM** **LOOSE** **WET** **MUD**

For general purpose trail riding, it's hard to top the Rekon. The Rekon finds the "Goldilocks" blend of rolling speed, braking traction and cornering control.

- M349
- Perfect for all-around trail riding
- Wide Trail (WT) sizes available

FOREKASTER



NEW TREAD

HARDPACK **LOOSE/HARD** **MEDIUM** **LOOSE** **WET** **MUD**

Redesigned from the ground up, the new Forekaster is the latest trail tire from Maxxis. Slotting in between our XC and gravity treads, the Forekaster is light, fast and grippy.

- M362
- Optimal for modern, short-travel trail bikes
- Wide Trail (WT) sizes available
- ALL-NEW TREAD PATTERN

AGGRESSOR



HARDPACK	LOOSE/HARD	MEDIUM	LOOSE	WET	MUD
----------	------------	--------	-------	-----	-----

The Maxxis Aggressor is designed for high-speed, hard-packed rocky trails. It works especially well as a rear tire paired with a Minion DHF or Assegai in the front.

- M343
- Excellent performance in dry, rocky terrain
- Wide Trail (WT) sizes available

DISSECTOR



HARDPACK	LOOSE/HARD	MEDIUM	LOOSE	WET	MUD
----------	------------	--------	-------	-----	-----

Designed by DH racer Troy Brosnan, the Dissector minimizes drag while retaining cornering control. This versatile tire can be used front or rear or as a pair depending on conditions.

- M357
- Troy Brosnan's signature model
- Wide Trail (WT) sizes available

MINION DHF



HARDPACK	LOOSE/HARD	MEDIUM	LOOSE	WET	MUD
----------	------------	--------	-------	-----	-----

With a tread design that deftly balances rolling speed with braking and cornering traction, it's no wonder that the Minion DHF is one of the most imitated tires in mountain biking.

- M301
- Intended for front wheel use
- Wide Trail (WT) sizes available

MINION DHR II



HARDPACK	LOOSE/HARD	MEDIUM	LOOSE	WET	MUD
----------	------------	--------	-------	-----	-----

With side knobs borrowed from the legendary Minion DHF, but widened to provide more support, the Minion DHR II offers excellent cornering and braking traction.

- M327
- Intended for rear wheel use
- Wide Trail (WT) sizes available





HIGH ROLLER II

HARDPACK	LOOSE/HARD	MEDIUM	LOOSE	WET	MUD
----------	------------	--------	-------	-----	-----

The Maxxis High Roller II features widely spaced knobs intended to find traction in loose conditions. A large channel between the center and side knobs provides a loose, drifty feel.

- M325
- Suited to loose or wet trail conditions
- Wide Trail (WT) sizes available

ASSEGAI

HARDPACK	LOOSE/HARD	MEDIUM	LOOSE	WET	MUD
----------	------------	--------	-------	-----	-----

Greg Minnaar's signature tire – the Maxxis Assegai – provides tenacious, predictable grip across the entire profile no matter the lean angle.

- M356
- Supreme braking and cornering traction
- Wide Trail (WT) sizes available

SHORTY

HARDPACK	LOOSE/HARD	MEDIUM	LOOSE	WET	MUD
----------	------------	--------	-------	-----	-----

The Maxxis Shorty has a versatile mid-spike tread pattern designed to sink into soft or loose soil to find traction.

- M359
- Mid-spike for deep dust or wet trail conditions
- Wide Trail (WT) sizes available

WETSCREAM

HARDPACK	LOOSE/HARD	MEDIUM	LOOSE	WET	MUD
----------	------------	--------	-------	-----	-----

The Maxxis Wetscream is designed for the most heinous muddy downhill race conditions imaginable. The Wetscream is for competition use only.

- M137
- Full spike for muddy conditions



E-MTB

FOREKASTER

NEW TREAD



HARDPACK	LOOSE/HARD	MEDIUM	LOOSE	WET	MUD
----------	------------	--------	-------	-----	-----

Redesigned from the ground up, the new Forekaster is the latest trail tire from Maxxis. Slotting in between our XC and gravity treads, the Forekaster is light, fast and grippy.

- M362
- Ideal for XC and light trail e-bikes
- E50 certification for e-bike use
- ALL-NEW TREAD PATTERN

MINION DHF

NEW SPECS



HARDPACK	LOOSE/HARD	MEDIUM	LOOSE	WET	MUD
----------	------------	--------	-------	-----	-----

With a tread design that deftly balances rolling speed with braking and cornering traction, it's no wonder that the Minion DHF is one of the most imitated tires in mountain biking.

- M301
- Ideal for trail and enduro e-bikes
- E50 certification for e-bike use

MINION DHR II

NEW SPECS



HARDPACK	LOOSE/HARD	MEDIUM	LOOSE	WET	MUD
----------	------------	--------	-------	-----	-----

With side knobs borrowed from the legendary Minion DHF, but widened to provide more support, the Minion DHR II offers excellent cornering and braking traction.

- M327
- Ideal for trail and enduro e-bikes
- E50 certification for e-bike use

ASSEGAI

NEW SPECS



HARDPACK	LOOSE/HARD	MEDIUM	LOOSE	WET	MUD
----------	------------	--------	-------	-----	-----

Greg Minnaar's signature tire – the Maxxis Assegai – provides tenacious, predictable grip across the entire profile no matter the lean angle.

- M356
- Ideal for trail and enduro e-bikes
- E50 certification for e-bike use



BMX/TRIALS

DTH



The grooved slick design of the Maxxis DTH (Drop the Hammer) is suited to a variety of BMX, dirt jumping and pump track situations.

- M147
- Grooved slick for BMX and dirt jumping

TORCH



Light up the track and your competition with the Torch. The Maxxis Torch is designed specifically for racing on today's paved BMX tracks.

- M149
- Lightweight construction for BMX racing

GRIFTER



The Maxxis Grifter is a lightweight, high-volume casing BMX tire designed for freestyle riding.

- M148
- Freestyle BMX tire

HOOKWORM



A unique wraparound tread pattern and sturdy construction allow the Maxxis Hookworm to stand up to the abuse of urban environments.

- M121
- Ultra-durable BMX tire

HOLY ROLLER



Featuring an inverted tread design, the Maxxis Holy Roller is ready for the dirt jumps, the skatepark or anything in between.

- M126
- Dirt to pavement versatility

CREEPY CRAWLER F



The Maxxis Creepy Crawler F (front) and R (rear) are designed to be the ultimate matched pair for your modified trials bike. Both tires use our ultra-grippy Super Tacky rubber compound.

- M143
- Super Tacky rubber compound

CREEPY CRAWLER R



The Maxxis Creepy Crawler F (front) and R (rear) are designed to be the ultimate matched pair for your modified trials bike. Both tires use our ultra-grippy Super Tacky rubber compound.

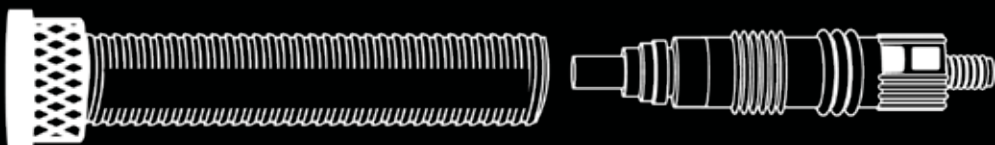
- M143
- Super Tacky rubber compound





TUBES

RVC PRESTA



SCHRADER



FLYWEIGHT

.45mm wall thickness
Lightest Maxxis tube available

ULTRALIGHT

.60mm wall thickness
Race use tube

WELTERWEIGHT

.80mm wall thickness
General purpose tube

FREERIDE

1.0mm wall thickness
Fat/plus bike-specific

FAT/PLUS

1.2mm wall thickness
Heavy duty tube

DOWNHILL

1.5mm wall thickness
Ultra-heavy duty tube



ROAD

TREAD	MOLD #	PART #	SIZE	ETRTO	REC. RIM WIDTH (mm)	TPI	BEAD	WEIGHT (g)	COMPOUND	MAX PSI	COLOR	TECH	
RE-FUSE	M200	ETB86336000	700X23C	23-622	13-17	60	FOLDABLE	315	SINGLE	120	BLACK	MAXXSHIELD	
RE-FUSE	M200	ETB86359000	700X25C	25-622	13-19	60	FOLDABLE	290	SINGLE	120	BLACK	MAXXSHIELD	
RE-FUSE	M200	ETB88505000	700X28C	28-622	15-19	60	FOLDABLE	345	SINGLE	120	BLACK	MAXXSHIELD	
RE-FUSE	M200P	ETB00212500	700X32C	32-622	15-21	60	FOLDABLE	415	SINGLE	75	BLACK	MAXXSHIELD	
RE-FUSE	M200RU	ETB00334700	700X32C	32-622	15-21	60	CARBON	395	SINGLE	75	TANWALL	MAXX-SHIELD/TR	
RE-FUSE	M200RU	ETB88896000	700X32C	32-622	15-21	60	CARBON	415	SINGLE	75	BLACK	MAXX-SHIELD/TR	
PURSUER	M225	ETB00262100	700X23C	23-622	13-17	60	FOLDABLE	260	SINGLE	130	BLACK		
PURSUER	M225	ETB00239100	700X25C	25-622	13-19	60	FOLDABLE	255	SINGLE	120	BLACK		
PURSUER	M225	ETB00416000	700X25C	25-622	13-19	60	WIRE	350	SINGLE	120	BLACK		
PURSUER	M225	ETB00289400	700X25C	25-622	13-19	60	WIRE	350	SINGLE	120	BLACK		
PURSUER	M225P	ETB00261900	700X28C	28-622	15-19	60	FOLDABLE	310	SINGLE	115	BLACK		
PURSUER	M225P	ETB00415900	700X28C	28-622	15-19	60	WIRE	380	SINGLE	115	BLACK		
PURSUER	M225P	ETB00289500	700X28C	28-622	15-19	60	WIRE	380	SINGLE	115	BLACK		
PURSUER	M225P	ETB00262000	700X32C	32-622	15-21	60	FOLDABLE	365	SINGLE	100	BLACK		
HIGH ROAD	M228	ETB00338500	700X25C	25-622	13-19	170	FOLDABLE	185	SINGLE	120	BLACK	HYPR/ZK/ONE70	
NEW	HIGH ROAD	M228	ETB00440200	700X25C	25-622	13-19	170	FOLDABLE	215	SINGLE	120	TANWALL	HYPR/ZK/ONE70
HIGH ROAD	M228RU	ETB00329500	700X25C	25-622	13-19	170	CARBON	285	SINGLE	110	BLACK	HYPR/K2/ONE70/TR	
NEW	HIGH ROAD	M228RU	ETB00415800	700X25C	25-622	13-19	170	CARBON	325	SINGLE	110	TANWALL	HYPR/K2/ONE70/TR
HIGH ROAD	M228	ETB00349300	700X28C	28-622	15-19	170	FOLDABLE	205	SINGLE	115	BLACK	HYPR/ZK/ONE70	
HIGH ROAD	M228RU	ETB00349400	700X28C	28-622	15-19	170	CARBON	315	SINGLE	95	BLACK	HYPR/K2/ONE70/TR	
NEW	HIGH ROAD	M228RU	ETB00464600	700X28C	28-622	15-19	170	CARBON	350	SINGLE	95	TANWALL	HYPR/K2/ONE70/TR
HIGH ROAD	M228	ETB00431700	700X32C	32-622	15-21	170	FOLDABLE	225	SINGLE	100	BLACK	HYPR/ZK/ONE70	
NEW	HIGH ROAD	M228RU	ETB00439500	700X32C	32-622	15-21	170	CARBON	350	SINGLE	75		HYPR/K2/ONE70/TR

ROAD

TREAD	MOLD #	PART #	SIZE	ETRTO	REC. RIM WIDTH (mm)	TPI	BEAD	WEIGHT (g)	COMPOUND	MAX PSI	COLOR	TECH
HIGH ROAD SL	M226	ETB00263700	700X23C	23-622	13-17	170	FOLDABLE	160	SINGLE	130	BLACK	HYPR-S/K2/ONE70
HIGH ROAD SL	M226	ETB00268800	700X25C	25-622	13-19	170	FOLDABLE	170	SINGLE	120	BLACK	HYPR-S/K2/ONE70
HIGH ROAD SL	M226RU	ETB00340100	700X25C	25-622	13-19	170	CARBON	265	SINGLE	110	BLACK	HYPR-S/K2/ONE70/TR
HIGH ROAD SL	M226	SKETB003353000000	28X25	N/A	N/A	170	N/A	280	SINGLE	170	BLACK	HYPR/ZK/ONE70
NEW HIGH ROAD SL	M226	ETB00343500	700X28C	28-622	15-19	170	FOLDABLE	180	SINGLE	120	BLACK	HYPR-S/K2/ONE70
HIGH ROAD SL	M226	ETB00343500	700X28C	28-622	15-19	170	FOLDABLE	180	SINGLE	120	BLACK	HYPR-S/K2/ONE70

COMMUTER/CARGO

TREAD	MOLD #	PART #	SIZE	ETRTO	REC. RIM WIDTH (mm)	TPI	BEAD	WEIGHT (g)	COMPOUND	MAX PSI	COLOR	TECH	E-BIKE
DTR-1	M7302	ETB00173600	650X47B	47-584	17-27	60	WIRE	605	SINGLE	65	BLACK		
DTR-1	M7302	ETB00173600	650X47B	47-584	17-27	60	WIRE	610	DUAL	65	BLACK		
RE-VOLT	M2021EP	ETB96630000	700X47C	47-622	17-27	60	WIRE	772	DUAL	75	BLACK	SILKSHIELD	E50
ROAMER	M2016P	ETB96354000	700X42C	44-622	17-25	60	WIRE	703	DUAL	75	BLACK	MAXXPROTECT	
NEW METRO-PASS	M2028EP	ETB00469400	27.5X2.00	49-584	17-27	60	WIRE	874	SINGLE	65	BLACK	REFLECTIVE	E50
NEW METRO-PASS	M2028EP	ETB00449900	28X2.00	49-622	17-27	60	WIRE	929	SINGLE	65	BLACK	REFLECTIVE	E50
NEW METRO-PASS PRO	M2028EP	ETB00469500	27.5X2.00	49-584	17-27	60x2	WIRE	1054	SINGLE	65	BLACK	REFLECTIVE	E50
NEW METRO-PASS PRO	M2028EP	ETB00393800	28X2.00	49-622	17-27	60x2	WIRE	1123	SINGLE	65	BLACK	REFLECTIVE	E50
NEW METRO-LOADS	M2029eP	ETB00419600	20X2.15	55-406	17-29	60	WIRE	818	SINGLE	65	BLACK	REFLECTIVE	E50
NEW METRO-LOADS	M2029eP	ETB00419400	26X2.15	55-559	17-29	60	WIRE	1106	SINGLE	65	BLACK	REFLECTIVE	E50
NEW METRO-LOADS PRO	M2029eP	ETB00424800	20X2.15	55-406	17-29	60x2	WIRE	1054	SINGLE	65	BLACK	REFLECTIVE	E50
NEW METRO-LOADS PRO	M2029eP	ETB00424700	26X2.15	55-559	17-29	60x2	WIRE	1421	SINGLE	65	BLACK	REFLECTIVE	E50

COMMUTER/CARGO

TREAD	MOLD #	PART #	SIZE	ETRTO	REC. RIM WIDTH (mm)	TPI	BEAD	WEIGHT (g)	COMPOUND	MAX PSI	COLOR	TECH	E-BIKE
DOLOMITES	M210	ETB81808100	700X23C	23-622	13-17	60	FOLDABLE	245	SINGLE	130	BLACK		
DOLOMITES	M210	ETB81808300	700X23C	23-622	13-17	60	FOLDABLE	263	SINGLE	130	BLACK	SILKWORM	
DOLOMITES	M210	ETB81808200	700X23C	23-622	13-17	60	WIRE	319	SINGLE	130	BLACK		
DOLOMITES	M210	ETB86473200	700X25C	25-622	13-19	60	FOLDABLE	263	SINGLE	130	BLACK	SILKWORM	
DOLOMITES	M210	ETB86473100	700X25C	25-622	13-19	60	WIRE	320	SINGLE	130	BLACK		
DOLOMITES	M210	ETB88753200	700X28C	28-622	15-19	60	FOLDABLE	281	SINGLE	120	BLACK	SILKWORM	
DOLOMITES	M210	ETB88753000	700X28C	28-622	15-19	60	WIRE	353	SINGLE	120	BLACK	SILKWORM	
DETONATOR	M203	ETB52371000	26X1.25	32-559	15-21	60	FOLDABLE	298	SINGLE	100	BLACK		
DETONATOR	M203	ETB52370000	26X1.25	32-559	15-21	60	WIRE	340	SINGLE	100	BLACK		
DETONATOR	M203P	ETB58908000	26X1.50	40/38-559	17-23	60	FOLDABLE	455	SINGLE	80	BLACK		
DETONATOR	M203P	ETB58907000	26X1.50	40/38-559	17-23	60	WIRE	497	SINGLE	80	BLACK		
DETONATOR	M203P	ETB85917100	27.5X1.50	40-584	17-23	60	FOLDABLE	497	SINGLE	80	BLACK	SILKWORM	
DETONATOR	M203P	ETB85917000	27.5X1.50	40-584	17-23	60	WIRE	542	SINGLE	80	BLACK	SILKWORM	
DETONATOR	M203	ETB00361700	700X23C	23-622	13-17	60	WIRE	301	SINGLE	120	BLACK		
DETONATOR	M203	ETB86368000	700X25C	25-622	13-19	60	FOLDABLE	261	SINGLE	120	BLACK	SILKWORM	
DETONATOR	M203	ETB00393900	700X25C	25-622	13-19	60	WIRE	313	SINGLE	120	BLACK		
DETONATOR	M203	ETB88502000	700X28C	28-622	15-19	60	FOLDABLE	254	SINGLE	120	BLACK		
DETONATOR	M203	ETB00394000	700X28C	28-622	15-19	60	WIRE	319	SINGLE	120	BLACK		
DETONATOR	M203P	ETB88859000	700X32C	32-622	15-21	60	FOLDABLE	311	SINGLE	100	BLACK		
DETONATOR	M203P	ETB88856000	700X32C	32-622	15-21	60	WIRE	361	SINGLE	100	BLACK		
OVERDRIVE	M2003	ETB64110400	26X1.75X2	47-559	17-27	27	WIRE	661	SINGLE	50	BLACK	MAXXPRO-TECT	
OVERDRIVE	M2003	ETB90905100	27.5X1.65	42-584	17-24	60	WIRE	576	SINGLE	80	BLACK	SILKWORM/REF	
OVERDRIVE	M2003	ETB89059000	"28X1-5/8X1-1/4 700X32C"	32-622	15-21	27	WIRE	513	SINGLE	90	BLACK	MAXXPRO-TECT	

COMMUTER/CARGO

TREAD	MOLD #	PART #	SIZE	ETRTO	REC. RIM WIDTH (mm)	TPI	BEAD	WEIGHT (g)	COMPOUND	MAX PSI	COLOR	TECH	E-BIKE
OVERDRIVE	M2003	ETB90108400	"28X1-5/8X 1-3/8 700X35C"	37-622	17-23	27	WIRE	610	SINGLE	75	BLACK	MAXXPRO- TECT	
OVERDRIVE	M2003	ETB95688700	700X38C	40-622	17-23	60	WIRE	557	SINGLE	75	BLACK	K2/REF	
OVERDRIVE	M2003	ETB95688400	700X38C	40-622	17-23	27	WIRE	691	SINGLE	75	BLACK	MAXXPRO- TECT	
OVERDRIVE	M2003	ETB96135500	700X40C	42-622	17-24	27	WIRE	710	SINGLE	75	BLACK	MAXXPRO- TECT	
OVERDRIVE EXCEL	M2013	ETB69104300	26X2.00	50-559	17-27	60	WIRE	749	SINGLE	65	BLACK	SILKSHIELD/ REF	
OVERDRIVE EXCEL	M2013	ETB91437000	700X35C	35-622	17-23	60	WIRE	550	DUAL	75	BLACK	SILKSHIELD/ REF	
OVERDRIVE EXCEL	M2013	ETB00394100	700X35C	35-622	17-23	60	WIRE	560	DUAL	75	BLACK	SILKSHIELD	
OVERDRIVE EXCEL	M2013	ETB00424900	700X35C	35-622	17-23	60	WIRE	590	DUAL	75	BLACK	SILKSHIELD/ REF	
OVERDRIVE EXCEL	M2013	ETB96137000	700X40C	40-622	17-23	60	WIRE	630	DUAL	75	BLACK	SILKSHIELD/ REF	
OVERDRIVE EXCEL	M2013	ETB00394200	700X40C	40-622	17-23	60	WIRE	650	DUAL	75	BLACK	SILKSHIELD	
OVERDRIVE EXCEL	M2013	ETB00425000	700X40C	40-622	17-23	60	WIRE	680	DUAL	75	BLACK	SILKSHIELD/ REF	
OVERDRIVE EXCEL	M2013P	ETB00421100	700X47C	47-622	17-27	60	WIRE	786	DUAL	75	BLACK	SILKSHIELD	
OVERDRIVE EXCEL	M2013P	ETB00425100	700X47C	47-622	17-27	60	WIRE	816	DUAL	75	BLACK	SILKSHIELD/ REF	

CYCLOGROSS

TREAD	MOLD #	PART #	SIZE	ETRTO	REC. RIM WIDTH (mm)	TPI	BEAD	WEIGHT (g)	COMPOUND	MAX PSI	COLOR	TECH
ALL TERRANE	M219RU	ETB88994100	700X33C	33-622	15-21	120	CARBON	380	DUAL	75	BLACK	EXO/TR

GRAVEL

TREAD	MOLD #	PART #	SIZE	ETRTO	REC. RIM WIDTH (mm)	TPI	BEAD	WEIGHT (g)	COMPOUND	MAX PSI	COLOR	TECH
RECEPTOR	M2027RU	ETB00352400	650X47B	47-584	17-27	120	FOLDABLE	490	DUAL	60	TANWALL	EXO/TR
RECEPTOR	M2027RU	ETB00300400	650X47B	47-584	17-27	120	FOLDABLE	506	DUAL	60	BLACK	EXO/TR
RECEPTOR	M2027RU	ETB00352300	700X40C	40-622	17-23	120	FOLDABLE	429	DUAL	60	TANWALL	EXO/TR
RECEPTOR	M2027RU	ETB00325300	700X40C	40-622	17-23	120	FOLDABLE	441	DUAL	60	BLACK	EXO/TR
RECEPTOR	M2027P	ETB00448900	700X40C	40-622	17-23	60	WIRE	483	DUAL	74	BLACK	EXO
RAMBLER	M2018RU	ETB85889000	27.5X1.50	40-584	17-23	120	FOLDABLE	475	DUAL	75	BLACK	EXO/TR
RAMBLER	M2018RU	ETB00172000	650X47B	47-584	17-27	120	FOLDABLE	554	DUAL	60	BLACK	EXO/TR
RAMBLER	M2018RU	ETB00386100	650X47B	47-584	17-27	60	FOLDABLE	570	DUAL	60	TANWALL	EXO/TR
RAMBLER	M2018RU	ETB00172100	650X47B	47-584	17-27	60	FOLDABLE	628	DUAL	60	BLACK	SILKSHIELD/ TR
RAMBLER	M2018P	ETB00435400	650X47B	47-584	17-27	60	WIRE	629	DUAL	75	BLACK	EXO
RAMBLER	M2018RU	ETB00200700	700X38C	38-622	17-23	120	FOLDABLE	421	DUAL	60	BLACK	EXO/TR
RAMBLER	M2018RU	ETB00333800	700X38C	38-622	17-23	60	FOLDABLE	439	DUAL	60	TANWALL	EXO/TR
RAMBLER	M2018RU	ETB00200800	700X38C	38-622	17-23	60	FOLDABLE	472	DUAL	60	BLACK	SILKSHIELD/ TR
RAMBLER	M2018RU	ETB00195800	700X40C	40-622	17-23	120	FOLDABLE	466	DUAL	60	BLACK	EXO/TR
RAMBLER	M2018RU	ETB00329600	700X40C	40-622	17-23	60	FOLDABLE	483	DUAL	60	TANWALL	EXO/TR
RAMBLER	M2018P	ETB00435200	700X40C	40-622	17-23	60	WIRE	511	DUAL	75	BLACK	EXO
RAMBLER	M2018RU	ETB00200500	700X40C	40-622	17-23	60	FOLDABLE	513	DUAL	60	BLACK	SILKSHIELD/ TR
RAMBLER	M2018RU	ETB00143200	700X45C	45-622	17-25	120	FOLDABLE	550	DUAL	60	BLACK	EXO/TR
NEW	RAMBLER	M2018RU	ETB00417500	700X45C	45-622	60	FOLDABLE	567	DUAL	60	TANWALL	EXO/TR
RAMBLER	M2018RU	ETB00143100	700X45C	45-622	17-25	60	FOLDABLE	604	DUAL	60	BLACK	SILKSHIELD/ TR
RAMBLER	M2018P	ETB00469300	700X45C	45-622	17-25	60	WIRE	620	SINGLE	75	TANWALL	EXO
RAMBLER	M2018P	ETB00435300	700X45C	45-622	17-25	60	WIRE	634	DUAL	75	BLACK	EXO
RAMBLER	M2018RU	ETB00172600	700X50C	50-622	17-27	120	FOLDABLE	650	DUAL	60	BLACK	EXO/TR
NEW	RAMBLER	M2018RU	ETB00417600	700X50C	50-622	60	FOLDABLE	673	DUAL	50	TANWALL	EXO/TR
RAMBLER	M2018RU	ETB00172700	700X50C	50-622	17-27	60	FOLDABLE	718	DUAL	60	BLACK	SILKSHIELD/ TR

GRAVEL

TREAD	MOLD #	PART #	SIZE	ETRTO	REC. RIM WIDTH (mm)	TPI	BEAD	WEIGHT (g)	COMPOUND	MAX PSI	COLOR	TECH
RAVAGER	M2020RU	ETB00201300	700X40C	40-622	17-23	120	FOLDABLE	503	DUAL	60	BLACK	EXO/TR
RAVAGER	M2020RU	ETB00201400	700X40C	40-622	17-23	60	FOLDABLE	554	DUAL	60	BLACK	SILKSHIELD/TR
NEW	RAVAGER	M2020RU	ETB00457800	700X40C	40-622	60	FOLDABLE	561	DUAL	60	BLACK	EXO/TR
NEW	RAVAGER	M2020RU	ETB00457900	700X50C	50-622	60	FOLDABLE	669	DUAL	60	TANWALL	EXO/TR
NEW	RAVAGER	M2020RU	ETB00450400	700X50C	50-622	60	FOLDABLE	685	DUAL	60	BLACK	EXO/TR

MOUNTAIN

TREAD	MOLD #	PART #	SIZE	ETRTO	REC. RIM WIDTH (mm)	TPI	BEAD	WEIGHT (g)	COMPOUND	MAX PSI	COLOR	TECH	E-BIKE
REKON RACE	M355RU	ETB00267300	27.5X2.00	50-584	17-27	120	FOLDABLE	631	DUAL	60	BLACK	EXO/TR	E25
REKON RACE	M355P	ETB00326900	27.5X2.25	57-584	17-29	60	WIRE	687	DUAL	65	BLACK		E25
REKON RACE	M355RU	ETB00244600	27.5X2.25	57-584	17-29	120	FOLDABLE	687	DUAL	60	BLACK	EXO/TR	E25
REKON RACE	M355P	ETB00329200	27.5X2.25	57-584	17-29	60	WIRE	770	DUAL	65	BLACK	EXO	E25
REKON RACE	M355P	ETB00415200	27.5X2.25	57-584	17-29	60	WIRE	778	SINGLE	65	TANWALL	EXO	E25
REKON RACE	M355RU	ETB00230500	27.5X2.35	60-584	19-35	120	FOLDABLE	744	DUAL	60	BLACK	EXO/TR	E25
REKON RACE	M355P	ETB00338300	29X2.25	57-622	17-29	60	WIRE	732	DUAL	65	BLACK		E25
REKON RACE	M355RU	ETB00046300	29X2.25	57-622	17-29	120	FOLDABLE	737	DUAL	60	BLACK	EXO/TR	E25
REKON RACE	M355RU	ETB00229000	29X2.25	57-622	17-29	60	FOLDABLE	759	DUAL	60	TANWALL	EXO/TR	E25
REKON RACE	M355P	ETB00329300	29X2.25	57-622	17-29	60	WIRE	800	DUAL	65	BLACK	EXO	E25
REKON RACE	M355P	ETB00415100	29X2.25	57-622	17-29	60	WIRE	829	SINGLE	65	TANWALL	EXO	E25
REKON RACE	M355RU	ETB00139800	29X2.35	60-622	19-35	120	FOLDABLE	801	DUAL	60	BLACK	EXO/TR	E25
REKON RACE	M355RU	ETB00219800	29X2.35	60-622	19-35	60	FOLDABLE	837	DUAL	60	TANWALL	EXO/TR	E25
REKON RACE	M355RU	ETB00139700	29X2.35	60-622	19-35	60	FOLDABLE	847	DUAL	60	BLACK	EXO/TR	E25
REKON RACE	M355RU	ETB00211100	29X2.40WT	61-622	19-35	120	FOLDABLE	818	DUAL	50	BLACK	EXO/TR	E25
REKON RACE	M355RU	ETB00417300	29X2.40WT	61-622	19-35	60	FOLDABLE	828	DUAL	50	TANWALL	EXO/TR	E25
REKON RACE	M355P	ETB00449100	29X2.40WT	59/61-622	19-35	60	WIRE	856	SINGLE	65	TANWALL	EXO	E25

MOUNTAIN

TREAD	MOLD #	PART #	SIZE	ETRTO	REC. RIM WIDTH (mm)	TPI	BEAD	WEIGHT (g)	COMPOUND	MAX PSI	COLOR	TECH	E-BIKE
REKON RACE	M355P	ETB00466000	29X2.40WT	59/61-622	19-35	60	WIRE	887	DUAL	65	BLACK	EXO	E25
ASPEN	M316RU	ETB00144100	27.5X2.25	57-584	17-29	120	FOLDABLE	639	DUAL	60	BLACK	EXO/TR	E25
ASPEN	M316P	ETB96689500	29X2.10	52-622	17-29	60	FOLDABLE	628	DUAL	65	BLACK		E25
ASPEN	M316RU	ETB96653100	29X2.10	52-622	17-29	120	FOLDABLE	652	DUAL	60	BLACK	EXO/TR	E25
ASPEN	M316RU	ETB96895500	29X2.25	57-622	17-29	120	FOLDABLE	691	DUAL	60	BLACK	EXO/TR	E25
ASPEN	M316RU	ETB00211500	29X2.40WT	61-622	19-35	120	FOLDABLE	760	DUAL	50	BLACK	EXO/TR	E25
CROSSMARK II	M344P	ETB00359400	26X1.95	50-559	17-29	60	WIRE	586	DUAL	65	BLACK		E25
CROSSMARK II	M344P	ETB00359600	26X2.10	52-559	17-29	60	WIRE	670	DUAL	65	BLACK		E25
CROSSMARK II	M344RU	ETB69854100	26X2.10	53-559	17-29	60	FOLDABLE	673	DUAL	60	BLACK	EXO/TR	E25
CROSSMARK II	M344P	ETB00359300	26X2.25	57-559	17-29	60	WIRE	727	DUAL	65	BLACK		E25
CROSSMARK II	M344RU	ETB72642100	26X2.25	57-559	17-29	60	FOLDABLE	778	DUAL	60	BLACK	EXO/TR	E25
CROSSMARK II	M344P	ETB90953100	27.5X2.10	53-584	17-29	60	FOLDABLE	617	DUAL	65	BLACK		E25
CROSSMARK II	M344P	ETB90953000	27.5X2.10	53-584	17-29	60	WIRE	699	DUAL	65	BLACK		E25
CROSSMARK II	M344RU	ETB90955100	27.5X2.10	53-584	17-29	60	FOLDABLE	702	DUAL	60	BLACK	EXO/TR	E25
CROSSMARK II	M344P	ETB00328600	27.5X2.25	57-584	17-29	60	WIRE	749	DUAL	65	BLACK		E25
CROSSMARK II	M344RU	ETB91032100	27.5X2.25	57-584	17-29	60	FOLDABLE	807	DUAL	60	BLACK	EXO/TR	E25
CROSSMARK II	M344EP	ETB00450200	27.5X2.25	57-584	17-29	60	WIRE	822	SINGLE	65	BLACK	EXO/REF	E25
CROSSMARK II	M344RU	ETB96752100	29X2.10	53-622	17-29	60	FOLDABLE	761	DUAL	60	BLACK	EXO/TR	E25
CROSSMARK II	M344P	ETB96845200	29X2.25	57-622	17-29	60	FOLDABLE	768	SINGLE	65	BLACK		E25
CROSSMARK II	M344P	ETB00296600	29X2.25	57-622	17-29	60	WIRE	798	DUAL	65	BLACK		E25
CROSSMARK II	M344P	ETB96845100	29X2.25	57-622	17-29	60	WIRE	856	SINGLE	65	BLACK		E25
CROSSMARK II	M344RU	ETB96795100	29X2.25	57-622	17-29	60	FOLDABLE	870	DUAL	60	BLACK	EXO/TR	E25
IKON	M319P	ETB72385300	26X2.20	57-559	17-29	60	FOLDABLE	592	SINGLE	65	BLACK		E25
IKON	M319RU	ETB72390100	26X2.20	57-559	17-29	120	FOLDABLE	657	3C MAXX-SPEED	60	BLACK	3C/EXO/TR	E25
IKON	M319P	ETB00359700	26X2.20	57-559	17-29	60	WIRE	672	DUAL	65	BLACK		E25
IKON	M319RU	ETB00220500	26X2.20	57-559	17-29	60	FOLDABLE	676	DUAL	60	TANWALL	EXO/TR	E25

MOUNTAIN

TREAD	MOLD #	PART #	SIZE	ETRTO	REC. RIM WIDTH (mm)	TPI	BEAD	WEIGHT (g)	COMPOUND	MAX PSI	COLOR	TECH	E-BIKE
IKON	M319P	ETB72385200	26X2.20	57-559	17-29	60	WIRE	676	SINGLE	65	BLACK		E25
IKON	M319RU	ETB73499100	26X2.35	60-559	19-35	120	FOLDABLE	742	3C MAXX-SPEED	60	BLACK	3C/EXO/TR	E25
IKON	M319P	ETB85920400	27.5X2.20	56-584	17-29	60	FOLDABLE	615	SINGLE	65	BLACK		E25
IKON	M319RU	ETB85919000	27.5X2.20	56-584	17-29	120	FOLDABLE	683	3C MAXX-SPEED	60	BLACK	3C/EXO/TR	E25
IKON	M319P	ETB00327000	27.5X2.20	56-584	17-29	60	WIRE	686	DUAL	65	BLACK		E25
IKON	M319RU	ETB00332800	27.5X2.20	56-584	17-29	60	FOLDABLE	701	DUAL	60	TANWALL	EXO/TR	E25
IKON	M319RU	ETB85919300	27.5X2.20	56-584	17-29	60	FOLDABLE	719	DUAL	60	BLACK	EXO/TR	E25
IKON	M319RU	ETB85956000	27.5X2.35	60-584	19-35	120	FOLDABLE	772	3C MAXX-SPEED	60	BLACK	3C/EXO/TR	E25
IKON	M319RU	ETB96646100	29X2.00	50-622	17-29	120	FOLDABLE	658	3C MAXX-SPEED	60	BLACK	3C/EXO/TR	E25
IKON	M319P	ETB00327800	29X2.20	57-622	17-29	60	WIRE	731	DUAL	65	BLACK		E25
IKON	M319P	ETB96753300	29X2.20	57-622	17-29	60	FOLDABLE	656	SINGLE	65	BLACK		E25
IKON	M319P	ETB00334200	29X2.20	57-622	17-29	60	FOLDABLE	716	SINGLE	65	TANWALL	EXO	E25
IKON	M319RU	ETB96740100	29X2.20	57-622	17-29	120	FOLDABLE	735	3C MAXX-SPEED	60	BLACK	3C/EXO/TR	E25
IKON	M319P	ETB96753200	29X2.20	57-622	17-29	60	WIRE	744	SINGLE	65	BLACK		E25
IKON	M319RU	ETB00333000	29X2.20	57-622	17-29	60	FOLDABLE	759	3C MAXX-SPEED	60	TANWALL	3C/EXO/TR	E25
IKON	M319RU	ETB00332900	29X2.20	57-622	17-29	60	FOLDABLE	761	DUAL	60	TANWALL	EXO/TR	E25
IKON	M319RU	ETB96740300	29X2.20	57-622	17-29	60	FOLDABLE	777	DUAL	60	BLACK	EXO/TR	E25
IKON	M319RU	ETB96731100	29X2.35	60-622	19-35	120	FOLDABLE	830	3C MAXX-SPEED	60	BLACK	3C/EXO/TR	E25
IKON	M319RU	ETB00038300	29X2.60	66-622	23-35	120	FOLDABLE	830	3C MAXX-SPEED	40	BLACK	3C/EXO/TR	E25
IKON	M319RU	ETB00033400	29X2.60	66-622	23-35	60	FOLDABLE	854	DUAL	40	BLACK	EXO/TR	E25
ARDENT RACE	M329RU	ETB72374100	26X2.20	56-559	17-29	120	FOLDABLE	730	3C MAXX-SPEED	60	BLACK	3C/EXO/TR	E25
ARDENT RACE	M329RU	ETB85918100	27.5X2.20	56-584	17-29	120	FOLDABLE	758	3C MAXX-SPEED	60	BLACK	3C/EXO/TR	E25
ARDENT RACE	M329P	ETB00328000	27.5X2.20	55-584	17-29	60	WIRE	776	DUAL	65	BLACK		E25
ARDENT RACE	M329RU	ETB85918400	27.5X2.20	56-584	17-29	60	FOLDABLE	809	DUAL	60	BLACK	EXO/TR	E25

MOUNTAIN

TREAD	MOLD #	PART #	SIZE	ETRTO	REC. RIM WIDTH (mm)	TPI	BEAD	WEIGHT (g)	COMPOUND	MAX PSI	COLOR	TECH	E-BIKE
ARDENT RACE	M329RU	ETB85945100	27.5X2.35	60-584	19-35	120	FOLDABLE	808	3C MAXX-SPEED	60	BLACK	3C/EXO/TR	E25
ARDENT RACE	M329RU	ETB96742100	29X2.20	56-622	17-29	120	FOLDABLE	817	3C MAXX-SPEED	60	BLACK	3C/EXO/TR	E25
ARDENT RACE	M329P	ETB00328100	29X2.20	55-622	17-29	60	WIRE	846	DUAL	65	BLACK		E25
ARDENT RACE	M329RU	ETB96742300	29X2.20	56-622	17-29	60	FOLDABLE	872	DUAL	60	BLACK	EXO/TR	E25
ARDENT RACE	M329RU	ETB96726100	29X2.35	60-622	19-35	120	FOLDABLE	871	3C MAXX-SPEED	60	BLACK	3C/EXO/TR	E25
ARDENT	M315RU	ETB72569100	26X2.25	56-559	17-29	60	FOLDABLE	714	DUAL	60	BLACK	EXO/TR	E25
ARDENT	M315E	ETB72560000	26X2.25	54/56-559	17-29	60	FOLDABLE	723	SINGLE	65	BLACK	EXO	E25
ARDENT	M315P	ETB72554000	26X2.25	54/56-559	17-29	60	WIRE	735	SINGLE	65	BLACK		E25
ARDENT	M315RU	ETB72917100	26X2.40	61-559	19-35	60	FOLDABLE	861	DUAL	60	BLACK	EXO/TR	E25
ARDENT	M315P	ETB74176000	26X2.40	58/60-559	19-35	60	WIRE	989	SINGLE	65	BLACK	EXO	E25
ARDENT	M315P	ETB00391000	27.5X2.25	57-584	17-29	60	FOLDABLE	736	SINGLE	65	TANWALL	EXO	E25
ARDENT	M315RU	ETB85955100	27.5X2.25	56-584	17-29	60	FOLDABLE	740	DUAL	60	BLACK	EXO/TR	E25
ARDENT	M315P	ETB85913400	27.5X2.25	57-584	17-29	60	FOLDABLE	750	SINGLE	65	BLACK	EXO	E25
ARDENT	M315P	ETB85913000	27.5X2.25	57-584	17-29	60	WIRE	758	SINGLE	65	BLACK		E25
ARDENT	M315RU	ETB00333100	27.5X2.25	56-584	17-29	60	FOLDABLE	759	DUAL	60	TANWALL	EXO/TR	E25
ARDENT	M315P	ETB00295800	27.5X2.25	57-584	17-29	60	WIRE	790	SINGLE	65	BLACK		E25
ARDENT	M315EP	ETB85971000	27.5X2.25	57-584	17-29	60	FOLDABLE	800	SINGLE	65	BLACK	EBIKE/SILK-SHIELD	E25
ARDENT	M315P	ETB00303000	27.5X2.40	61-584	19-35	60	WIRE	843	SINGLE	65	BLACK	EXO	E25
ARDENT	M315RU	ETB00333400	27.5X2.40	61-584	19-35	60	FOLDABLE	856	DUAL	60	TANWALL	EXO/TR	E25
ARDENT	M315RU	ETB85967100	27.5X2.40	61-584	19-35	60	FOLDABLE	896	DUAL	60	BLACK	EXO/TR	E25
ARDENT	M315P	ETB00334300	29X2.25	57-622	17-29	60	FOLDABLE	781	SINGLE	65	TANWALL	EXO	E25
ARDENT	M315RU	ETB96734100	29X2.25	56-622	17-29	60	FOLDABLE	800	DUAL	60	BLACK	EXO/TR	E25
ARDENT	M315P	ETB96712000	29X2.25	54/56-622	17-29	60	WIRE	809	SINGLE	65	BLACK		E25
ARDENT	M315RU	ETB00333200	29X2.25	54/56-622	17-29	60	FOLDABLE	818	DUAL	60	TANWALL	EXO/TR	E25

MOUNTAIN

TREAD	MOLD #	PART #	SIZE	ETRTO	REC. RIM WIDTH (mm)	TPI	BEAD	WEIGHT (g)	COMPOUND	MAX PSI	COLOR	TECH	E-BIKE
ARDENT	M315P	ETB00292000	29X2.25	54/56-622	17-29	60	WIRE	832	SINGLE	65	BLACK		E25
ARDENT	M315P	ETB00302700	29X2.40	59/61-622	19-35	60	WIRE	896	SINGLE	65	BLACK	EXO	E25
ARDENT	M315P	ETB00334600	29X2.40	59/61-622	19-35	60	FOLDABLE	909	SINGLE	65	TANWALL	EXO	E25
ARDENT	M332RU	ETB00333500	29X2.40	61-622	19-35	60	FOLDABLE	925	DUAL	60	TANWALL	EXO/TR	E25
ARDENT	M332RU	ETB96793100	29X2.40	61-622	19-35	60	FOLDABLE	964	DUAL	60	BLACK	EXO/TR	E25
ARDENT	M315P	ETB96789500	29X2.40	59/61-622	19-35	60	WIRE	1017	SINGLE	65	BLACK	EXO	E25
REKON	M349P	ETB00153500	24X2.20	56-507	17-29	60	FOLDABLE	603	DUAL	65	BLACK		E25
REKON	M349P	ETB00328200	27.5X2.25	57-584	17-29	60	WIRE	722	DUAL	65	BLACK		E25
REKON	M349RU	ETB00018000	27.5X2.40WT	61-584	19-35	60	FOLDABLE	827	DUAL	50	BLACK	EXO/TR	E25
REKON	M349RU	ETB00017400	27.5X2.40WT	61-584	19-35	60	FOLDABLE	834	3C MAXXTER-RA	50	BLACK	3C/EXO/TR	E25
REKON	M349RU	ETB91145200	27.5X2.60	66-584	23-35	120	FOLDABLE	833	3C MAXXTER-RA	40	BLACK	3C/EXO/TR	E25
REKON	M349RU	ETB91145300	27.5X2.60	66-584	23-35	60	FOLDABLE	877	DUAL	40	BLACK	EXO/TR	E25
REKON	M349P	ETB00329000	27.5X2.60	66-584	23-35	60	WIRE	946	DUAL	40	BLACK	EXO	E25
REKON	M349RU	ETB00111800	27.5X2.60	66-584	23-35	60	FOLDABLE	948	3C MAXXTER-RA	40	BLACK	3C/EXO+/TR	E25
REKON	M349RU	ETB96899100	29X2.25	57-622	17-29	120	FOLDABLE	719	3C MAXX-SPEED	60	BLACK	3C/EXO/TR	E25
REKON	M349P	ETB00328300	29X2.25	57-622	17-29	60	WIRE	770	DUAL	65	BLACK		E25
REKON	M349P	ETB00328800	29X2.40WT	59/61-622	19-35	60	WIRE	835	DUAL	65	BLACK		E25
REKON	M349RU	ETB00219600	29X2.40WT	61-622	19-35	60	FOLDABLE	875	DUAL	50	TANWALL	EXO/TR	E25
REKON	M349RU	ETB00017700	29X2.40WT	61-622	19-35	60	FOLDABLE	891	DUAL	50	BLACK	EXO/TR	E25
REKON	M349RU	ETB00017500	29X2.40WT	61-622	19-35	60	FOLDABLE	901	3C MAXXTER-RA	50	BLACK	3C/EXO/TR	E25
REKON	M349RU	ETB00301000	29X2.40WT	61-622	19-35	60	FOLDABLE	934	3C MAXXTER-RA	50	BLACK	3C/EXO+/TR	E25
REKON	M349RU	ETB96962000	29X2.60	66-622	23-35	120	FOLDABLE	895	3C MAXXTER-RA	40	BLACK	3C/EXO/TR	E25
REKON	M349RU	ETB00219700	29X2.60	66-622	23-35	60	FOLDABLE	924	DUAL	40	TANWALL	EXO/TR	E25

MOUNTAIN

TREAD	MOLD #	PART #	SIZE	ETRTO	REC. RIM WIDTH (mm)	TPI	BEAD	WEIGHT (g)	COMPOUND	MAX PSI	COLOR	TECH	E-BIKE	
REKON	M349RU	ETB96962100	29X2.60	66-622	23-35	60	FOLDABLE	942	DUAL	40	BLACK	EXO/TR	E25	
REKON	M349P	ETB00328900	29X2.60	66-622	23-35	60	WIRE	1006	DUAL	40	BLACK	EXO	E25	
REKON	M349RU	ETB00096500	29X2.60	66-622	23-35	60	FOLDABLE	1019	3C MAXXTER-RA	40	BLACK	3C/EXO+/TR	E25	
NEW	FOREKASTER	M362P	ETB00474500	27.5X2.25	57-622	17-29	60	WIRE	792	DUAL	65	BLACK		E25
NEW	FOREKASTER	M362P	ETB00474700	27.5X2.40WT	61-622	19-35	60	WIRE	829	DUAL	65	BLACK		E25
NEW	FOREKASTER	M362P	ETB00474200	29X2.25	57-622	17-29	60	WIRE	837	DUAL	65	BLACK		E25
NEW	FOREKASTER	M362RU	ETB00460500	29X2.40WT	61-622	19-35	60	FOLDABLE	945	DUAL	50	BLACK	EXO/TR	E25
NEW	FOREKASTER	M362RU	ETB00448000	29X2.40WT	61-622	19-35	60	FOLDABLE	945	3C MAXXTER-RA	50	BLACK	3C/EXO/TR	E25
NEW	FOREKASTER	M362P	ETB00474300	29X2.40WT	61-622	19-35	60	WIRE	856	DUAL	65	BLACK		E25
NEW	FOREKASTER	M362RU	ETB00460600	29X2.60	66-622	23-35	60	FOLDABLE	1035	DUAL	40	BLACK	EXO/TR	E25
NEW	FOREKASTER	M362RU	ETB00460300	29X2.60	66-622	23-35	60	FOLDABLE	1035	3C MAXXTER-RA	40	BLACK	3C/EXO/TR	E25
AGGRESSOR	M343RU	ETB73310000	26X2.30	58-559	19-30	60	FOLDABLE	886	DUAL	60	BLACK	EXO/TR	E25	
AGGRESSOR	M343RU	ETB91009100	27.5X2.30	58-584	19-30	60	FOLDABLE	919	DUAL	60	BLACK	EXO/TR	E25	
AGGRESSOR	M343RU	ETB85984000	27.5X2.50WT	63-584	19-35	60	FOLDABLE	1023	DUAL	50	BLACK	EXO/TR	E25	
AGGRESSOR	M343RU	ETB96882000	29X2.30	58-622	19-30	60	FOLDABLE	989	DUAL	60	BLACK	EXO/TR	E25	
AGGRESSOR	M343RU	ETB96870000	29X2.50WT	63-622	19-35	60	FOLDABLE	1098	DUAL	50	BLACK	EXO/TR	E25	
DISSECTOR	M357RU	ETB00240600	27.5X2.40WT	61-584	19-35	60	FOLDABLE	878	DUAL	50	BLACK	EXO/TR	E25	
DISSECTOR	M357RU	ETB00231000	27.5X2.40WT	61-584	19-35	60	FOLDABLE	889	3C MAXXTER-RA	50	BLACK	3C/EXO/TR	E25	
DISSECTOR	M357RU	ETB00259900	27.5X2.40WT	61-584	19-35	60	FOLDABLE	951	3C MAXXTER-RA	50	BLACK	3C/EXO+/TR	E25	
DISSECTOR	M357RU	ETB00240900	27.5X2.60	66-584	23-35	60	FOLDABLE	981	DUAL	40	BLACK	EXO/TR	E25	
DISSECTOR	M357RU	ETB00237200	27.5X2.60	66-584	23-35	60	FOLDABLE	1048	3C MAXXTER-RA	40	BLACK	3C/EXO/TR	E25	
DISSECTOR	M357RU	ETB00237100	27.5X2.60	66-584	23-35	60	FOLDABLE	1119	3C MAXXTER-RA	40	BLACK	3C/EXO+/TR	E25	
DISSECTOR	M357RU	ETB00241300	29X2.40WT	61-622	19-35	60	FOLDABLE	949	DUAL	50	BLACK	EXO/TR	E25	
DISSECTOR	M357RU	ETB00241200	29X2.40WT	61-622	19-35	60	FOLDABLE	956	3C MAXXTER-RA	50	BLACK	3C/EXO/TR	E25	

MOUNTAIN

TREAD	MOLD #	PART #	SIZE	ETRTO	REC. RIM WIDTH (mm)	TPI	BEAD	WEIGHT (g)	COMPOUND	MAX PSI	COLOR	TECH	E-BIKE
DISSECTOR	M357RU	ETB00259800	29X2.40WT	61-622	19-35	60	FOLDABLE	1022	3C MAXXTER-RA	50	BLACK	3C/EXO+/TR	E25
DISSECTOR	M357RU	ETB00240800	29X2.60	66-622	23-35	60	FOLDABLE	1051	DUAL	40	BLACK	EXO/TR	E25
DISSECTOR	M357RU	ETB00417400	29X2.60	66-622	23-35	60	FOLDABLE	1033	DUAL	40	TANWALL	EXO/TR	E25
DISSECTOR	M357RU	ETB00237000	29X2.60	66-622	23-35	60	FOLDABLE	1122	3C MAXXTER-RA	40	BLACK	3C/EXO/TR	E25
DISSECTOR	M357RU	ETB00236900	29X2.60	66-622	23-35	60	FOLDABLE	1199	3C MAXXTER-RA	40	BLACK	3C/EXO+/TR	E25
MINION DHF	M301P	ETB00327300	20X2.40	61-406	19-35	60	FOLDABLE	648	DUAL	65	BLACK		E25
MINION DHF	M301P	ETB00327200	20X2.40	61-406	19-35	60	WIRE	708	DUAL	65	BLACK		E25
MINION DHF	M301P	ETB00153100	24X2.40	61-507	19-35	60	FOLDABLE	745	DUAL	65	BLACK		E25
MINION DHF	M301RU	ETB00017600	24X2.40	61-507	19-35	120	FOLDABLE	799	3C MAXXTER-RA	60	BLACK	3C/EXO/TR	E25
MINION DHF	M301RU	ETB00139500	24X2.40	61-507	19-35	60	FOLDABLE	819	DUAL	60	BLACK	EXO/TR	E25
MINION DHF	M301RU	ETB73305200	26X2.30	58-559	19-30	60	FOLDABLE	910	3C MAXXTER-RA	60	BLACK	3C/EXO/TR	E25
MINION DHF	M301RU	ETB73305100	26X2.30	58-559	19-30	60	FOLDABLE	924	DUAL	60	BLACK	EXO/TR	E25
MINION DHF	M301	ETB73550800	26X2.35	52-559	19-35	60	FOLDABLE	759	SINGLE	65	BLACK		E25
MINION DHF	M301	ETB73550000	26X2.35	52-559	19-35	60	WIRE	825	SINGLE	65	BLACK	ST	E25
MINION DHF	M301RU	ETB74284100	26X2.50WT	63-559	19-35	60	FOLDABLE	965	DUAL	50	BLACK	EXO/TR	E25
MINION DHF	M301RU	ETB74284000	26X2.50WT	63-559	19-35	60	FOLDABLE	984	3C MAXXTER-RA	50	BLACK	3C/EXO/TR	E25
MINION DHF	M301RU	ETB00333300	27.5X2.30	58-584	19-30	60	FOLDABLE	929	3C MAXXTER-RA	60	TANWALL	3C/EXO/TR	E25
MINION DHF	M301RU	ETB85925100	27.5X2.30	58-584	19-30	60	FOLDABLE	945	3C MAXXTER-RA	60	BLACK	3C/EXO/TR	E25
MINION DHF	M301RU	ETB85925400	27.5X2.30	58-584	19-30	60	FOLDABLE	959	DUAL	60	BLACK	EXO/TR	E25
MINION DHF	M301RU	ETB00219900	27.5X2.50WT	63-584	19-35	60	FOLDABLE	984	DUAL	50	TANWALL	EXO/TR	E25
MINION DHF	M301RU	ETB85975000	27.5X2.50WT	63-584	19-35	60	FOLDABLE	1004	DUAL	50	BLACK	EXO/TR	E25
MINION DHF	M301RU	ETB85975200	27.5X2.50WT	63-584	19-35	60	FOLDABLE	1015	3C MAXXGRIP	50	BLACK	3C/EXO/TR	E25
MINION DHF	M301RU	ETB85975100	27.5X2.50WT	63-584	19-35	60	FOLDABLE	1024	3C MAXXTER-RA	50	BLACK	3C/EXO/TR	E25
MINION DHF	M301RU	ETB00447200	27.5X2.50WT	63-584	19-35	60	FOLDABLE	1085	3C MAXXGRIP	50	BLACK	3CG/EXO+/TR	E25

MOUNTAIN

TREAD	MOLD #	PART #	SIZE	ETRTO	REC. RIM WIDTH (mm)	TPI	BEAD	WEIGHT (g)	COMPOUND	MAX PSI	COLOR	TECH	E-BIKE
MINION DHF	M301RU	ETB00112100	27.5X2.50WT	63-584	19-35	60	FOLDABLE	1086	3C MAXXTER-RA	50	BLACK	3C/EXO+/TR	E25
MINION DHF	M301RU	ETB91146300	27.5X2.60	66-584	23-35	120	FOLDABLE	967	3C MAXXTER-RA	40	BLACK	3C/EXO/TR	E25
MINION DHF	M301RU	ETB91146200	27.5X2.60	66-584	23-35	60	FOLDABLE	991	DUAL	40	BLACK	EXO/TR	E25
MINION DHF	M301RU	ETB00093700	27.5X2.60	66-584	23-35	60	FOLDABLE	1082	3C MAXXTER-RA	40	BLACK	3C/EXO+/TR	E25
MINION DHF	M301RU	ETB96785100	29X2.30	58-622	19-30	60	FOLDABLE	1015	3C MAXXTER-RA	60	BLACK	3C/EXO/TR	E25
MINION DHF	M301RU	ETB96785000	29X2.30	58-622	19-30	60	FOLDABLE	1031	DUAL	60	BLACK	EXO/TR	E25
MINION DHF	M301RU	ETB00220100	29X2.50WT	63-622	19-35	60	FOLDABLE	1056	DUAL	50	TANWALL	EXO/TR	E25
MINION DHF	M301RU	ETB00144000	29X2.50WT	63-622	19-35	60	FOLDABLE	1092	3C MAXXGRIP	50	BLACK	3C/EXO/TR	E25
MINION DHF	M301RU	ETB96800000	29X2.50WT	63-622	19-35	60	FOLDABLE	1099	DUAL	50	BLACK	EXO/TR	E25
MINION DHF	M301RU	ETB96800300	29X2.50WT	63-622	19-35	60	FOLDABLE	1099	3C MAXXTER-RA	50	BLACK	3C/EXO/TR	E25
MINION DHF	M301P	ETB00445900	29X2.50WT	63-622	19-35	60	WIRE	1110	DUAL	60	BLACK	EXO	E25
MINION DHF	M301RU	ETB00447300	29X2.50WT	63-622	19-35	60	FOLDABLE	1162	3C MAXXGRIP	50	BLACK	3CG/EXO+/TR	E25
MINION DHF	M301RU	ETB00112000	29X2.50WT	63-622	19-35	60	FOLDABLE	1163	3C MAXXTER-RA	50	BLACK	3C/EXO+/TR	E25
MINION DHF	M301RU	ETB00032600	29X2.60	66-622	23-35	120	FOLDABLE	1039	3C MAXXTER-RA	40	BLACK	3C/EXO/TR	E25
MINION DHF	M301RU	ETB00220000	29X2.60	66-622	23-35	60	FOLDABLE	1044	DUAL	40	TANWALL	EXO/TR	E25
MINION DHF	M301RU	ETB00032800	29X2.60	66-622	23-35	60	FOLDABLE	1065	DUAL	40	BLACK	EXO/TR	E25
MINION DHF	M301RU	ETB00096400	29X2.60	66-622	23-35	60	FOLDABLE	1160	3C MAXXTER-RA	40	BLACK	3C/EXO+/TR	E25
MINION DHR II	M327P	ETB00327500	20X2.30	58-406	19-30	60	FOLDABLE	571	DUAL	65	BLACK		E25
MINION DHR II	M327P	ETB00327400	20X2.30	58-406	19-30	60	WIRE	631	DUAL	65	BLACK		E25
MINION DHR II	M327P	ETB00153300	24X2.30	58-507	19-30	60	FOLDABLE	682	DUAL	65	BLACK		E25
MINION DHR II	M327RU	ETB00143500	24X2.30	58-507	19-30	60	FOLDABLE	756	DUAL	60	BLACK	EXO/TR	E25
MINION DHR II	M327RU	ETB73303100	26X2.30	58-559	19-30	60	FOLDABLE	846	3C MAXXTER-RA	60	BLACK	3C/EXO/TR	E25
MINION DHR II	M327RU	ETB73303000	26X2.30	58-559	19-30	60	FOLDABLE	848	DUAL	60	BLACK	EXO/TR	E25
MINION DHR II	M327RU	ETB72910100	26X2.40WT	61-559	19-35	60	FOLDABLE	924	3C MAXXTER-RA	50	BLACK	3C/EXO/TR	E25

MOUNTAIN

TREAD	MOLD #	PART #	SIZE	ETRTO	REC. RIM WIDTH (mm)	TPI	BEAD	WEIGHT (g)	COMPOUND	MAX PSI	COLOR	TECH	E-BIKE
MINION DHR II	M327RU	ETB72910000	26X2.40WT	61-559	19-35	60	FOLDABLE	930	DUAL	50	BLACK	EXO/TR	E25
MINION DHR II	M327	ETB72907500	26X2.40WT	61-559	19-35	60	FOLDABLE	951	SINGLE	65	BLACK	EXO/ST	E25
MINION DHR II	M327RU	ETB85927000	27.5X2.30	58-584	19-30	60	FOLDABLE	878	3C MAXXTER-RA	60	BLACK	3C/EXO/TR	E25
MINION DHR II	M327RU	ETB85927200	27.5X2.30	58-584	19-30	60	FOLDABLE	880	DUAL	60	BLACK	EXO/TR	E25
MINION DHR II	M327RU	ETB00220200	27.5X2.40WT	61-584	19-35	60	FOLDABLE	949	DUAL	50	TANWALL	EXO/TR	E25
MINION DHR II	M327RU	ETB85962100	27.5X2.40WT	61-584	19-35	60	FOLDABLE	960	3C MAXXTER-RA	50	BLACK	3C/EXO/TR	E25
MINION DHR II	M327RU	ETB85962000	27.5X2.40WT	61-584	19-35	60	FOLDABLE	965	DUAL	50	BLACK	EXO/TR	E25
MINION DHR II	M327RU	ETB00354300	27.5X2.40WT	61-584	19-35	60	FOLDABLE	980	3C MAXXGRIP	50	BLACK	3C/EXO/TR	E25
MINION DHR II	M327RU	ETB00112300	27.5X2.40WT	61-584	19-35	60	FOLDABLE	1025	3C MAXXTER-RA	50	BLACK	3C/EXO+/TR	E25
MINION DHR II	M327RU	ETB00447400	27.5X2.40WT	61-584	19-35	60	FOLDABLE	1045	3C MAXXGRIP	50	BLACK	3CG/EXO+/TR	E25
MINION DHR II	M327RU	ETB91149100	27.5X2.60	66-584	23-35	60	FOLDABLE	957	DUAL	40	BLACK	EXO/TR	E25
MINION DHR II	M327RU	ETB91149000	27.5X2.60	66-584	23-35	120	FOLDABLE	980	3C MAXXTER-RA	40	BLACK	3C/EXO/TR	E25
MINION DHR II	M327RU	ETB00093900	27.5X2.60	66-584	23-35	60	FOLDABLE	1095	3C MAXXTER-RA	40	BLACK	3C/EXO+/TR	E25
MINION DHR II	M327RU	ETB96776100	29X2.30	58-622	19-30	60	FOLDABLE	945	3C MAXXTER-RA	60	BLACK	3C/EXO/TR	E25
MINION DHR II	M327RU	ETB96776000	29X2.30	58-622	19-30	60	FOLDABLE	947	DUAL	60	BLACK	EXO/TR	E25
MINION DHR II	M327RU	ETB00220400	29X2.40WT	61-622	19-35	60	FOLDABLE	1022	DUAL	50	TANWALL	EXO/TR	E25
MINION DHR II	M327RU	ETB96797100	29X2.40WT	61-622	19-35	60	FOLDABLE	1035	3C MAXXTER-RA	50	BLACK	3C/EXO/TR	E25
MINION DHR II	M327RU	ETB96797000	29X2.40WT	61-622	19-35	60	FOLDABLE	1040	DUAL	50	BLACK	EXO/TR	E25
MINION DHR II	M327RU	ETB00143900	29X2.40WT	61-622	19-35	60	FOLDABLE	1056	3C MAXXGRIP	50	BLACK	3C/EXO/TR	E25
MINION DHR II	M327RU	ETB00112200	29X2.40WT	61-622	19-35	60	FOLDABLE	1101	3C MAXXTER-RA	50	BLACK	3C/EXO+/TR	E25
MINION DHR II	M327RU	ETB00447500	29X2.40WT	61-622	19-35	60	FOLDABLE	1122	3C MAXXGRIP	50	BLACK	3CG/EXO+/TR	E25
MINION DHR II	M327RU	ETB00220300	29X2.60	66-622	23-35	60	FOLDABLE	1008	DUAL	40	TANWALL	EXO/TR	E25
MINION DHR II	M327RU	ETB00073200	29X2.60	66-622	23-35	60	FOLDABLE	1026	DUAL	40	BLACK	EXO/TR	E25
MINION DHR II	M327RU	ETB00073100	29X2.60	66-622	23-35	120	FOLDABLE	1050	3C MAXXTER-RA	40	BLACK	3C/EXO/TR	E25

MOUNTAIN

TREAD	MOLD #	PART #	SIZE	ETRTO	REC. RIM WIDTH (mm)	TPI	BEAD	WEIGHT (g)	COMPOUND	MAX PSI	COLOR	TECH	E-BIKE
MINION DHR II	M327RU	ETB00096300	29X2.60	66-622	23-35	60	FOLDABLE	1174	3C MAXXTER-RA	40	BLACK	3C/EXO+/TR	E25
HIGH ROLLER II	M325RU	ETB73307000	26X2.30	58-559	19-30	60	FOLDABLE	835	DUAL	60	BLACK	EXO/TR	E25
HIGH ROLLER II	M325RU	ETB73307100	26X2.30	58-559	19-30	60	FOLDABLE	846	3C MAXXTER-RA	60	BLACK	3C/EXO/TR	E25
HIGH ROLLER II	M325P	ETB74177300	26X2.40	61-559	19-35	60	FOLDABLE	900	SINGLE	65	BLACK	EXO	E25
HIGH ROLLER II	M325RU	ETB85923000	27.5X2.30	58-584	19-30	60	FOLDABLE	867	DUAL	60	BLACK	EXO/TR	E25
HIGH ROLLER II	M325RU	ETB85923100	27.5X2.30	58-584	19-30	60	FOLDABLE	878	3C MAXXTER-RA	60	BLACK	3C/EXO/TR	E25
HIGH ROLLER II	M325RU	ETB91052100	27.5X2.40	61-584	19-35	60	FOLDABLE	921	3C MAXXTER-RA	60	BLACK	3C/EXO/TR	E25
HIGH ROLLER II	M325P	ETB85915400	27.5X2.40	61-584	19-35	60	FOLDABLE	935	SINGLE	65	BLACK	EXO	E25
HIGH ROLLER II	M325EP	ETB85914800	27.5X2.40	61-584	19-35	60	FOLDABLE	985	SINGLE	65	BLACK	EBIKE/SILK-SHIELD	E25
HIGH ROLLER II	M325RU	ETB85983000	27.5X2.50WT	63-584	19-35	60	FOLDABLE	966	3C MAXXTER-RA	50	BLACK	3C/EXO/TR	E25
HIGH ROLLER II	M325RU	ETB96769000	29X2.30	58-622	19-30	60	FOLDABLE	939	DUAL	60	BLACK	EXO/TR	E25
HIGH ROLLER II	M325RU	ETB96769100	29X2.30	58-622	19-30	60	FOLDABLE	945	3C MAXXTER-RA	60	BLACK	3C/EXO/TR	E25
HIGH ROLLER II	M325RU	ETB96803000	29X2.50WT	63-622	19-35	60	FOLDABLE	1038	3C MAXXTER-RA	50	BLACK	3C/EXO/TR	E25
ASSEGAI	M356RU	ETB00163200	27.5X2.50WT	63-584	19-35	60	FOLDABLE	1008	3C MAXXTER-RA	50	BLACK	3C/EXO/TR	E25
ASSEGAI	M356RU	ETB00172400	27.5X2.50WT	63-584	19-35	60	FOLDABLE	1070	3C MAXXTER-RA	50	BLACK	3C/EXO+/TR	E25
ASSEGAI	M356RU	ETB00163300	27.5X2.50WT	63-584	19-35	60	FOLDABLE	1075	DUAL	50	BLACK	EXO/TR	E25
ASSEGAI	M356RU	ETB00308200	27.5X2.50WT	63-584	19-35	60	FOLDABLE	1151	3C MAXXGRIP	50	BLACK	3C/EXO+/TR	E25
ASSEGAI	M356RU	ETB00195500	27.5X2.60	66-584	23-35	60	FOLDABLE	1084	DUAL	40	BLACK	EXO/TR	E25
ASSEGAI	M356RU	ETB00202400	27.5X2.60	66-584	23-35	60	FOLDABLE	1093	3C MAXXTER-RA	40	BLACK	3C/EXO/TR	E25
ASSEGAI	M356RU	ETB00202700	27.5X2.60	66-584	23-35	60	FOLDABLE	1164	3C MAXXTER-RA	40	BLACK	3C/EXO+/TR	E25
ASSEGAI	M356RU	ETB00163000	29X2.50WT	63-622	19-35	60	FOLDABLE	1082	3C MAXXTER-RA	50	BLACK	3C/EXO/TR	E25

MOUNTAIN

TREAD	MOLD #	PART #	SIZE	ETRTO	REC. RIM WIDTH (mm)	TPI	BEAD	WEIGHT (g)	COMPOUND	MAX PSI	COLOR	TECH	E-BIKE
ASSEGAI	M356RU	ETB00172500	29X2.50WT	63-622	19-35	60	FOLDABLE	1146	3C MAXXTER-RA	50	BLACK	3C/EXO+/TR	E25
ASSEGAI	M356RU	ETB00163100	29X2.50WT	63-622	19-35	60	FOLDABLE	1153	DUAL	50	BLACK	EXO/TR	E25
ASSEGAI	M356RU	ETB00308100	29X2.50WT	63-622	19-35	60	FOLDABLE	1232	3C MAXXGRIP	50	BLACK	3C/EXO+/TR	E25
ASSEGAI	M356RU	ETB00195600	29X2.60	66-622	23-35	60	FOLDABLE	1160	DUAL	40	BLACK	EXO/TR	E25
ASSEGAI	M356RU	ETB00203100	29X2.60	66-622	23-35	60	FOLDABLE	1169	3C MAXXTER-RA	40	BLACK	3C/EXO/TR	E25
ASSEGAI	M356RU	ETB00202900	29X2.60	66-622	23-35	60	FOLDABLE	1246	3C MAXXTER-RA	40	BLACK	3C/EXO+/TR	E25
SHORTY	M359RU	ETB00325200	27.5X2.40WT	61-584	19-35	60	FOLDABLE	965	3C MAXXTER-RA	50	BLACK	3C/EXO/TR	E25
SHORTY	M359RU	ETB00311800	29X2.40WT	61-622	19-35	60	FOLDABLE	1040	3C MAXXTER-RA	50	BLACK	3C/EXO/TR	E25
PACE	M333	ETB60881200	26X1.95	50-559	17-27	60	FOLDABLE	623	SINGLE	65	BLACK	SILKSHIELD	E25
PACE	M333	ETB60881100	26X1.95	50-559	17-27	60	WIRE	665	SINGLE	65	BLACK	SILKSHIELD	E25
PACE	M333	ETB69309100	26X2.10	53-559	17-29	60	FOLDABLE	561	SINGLE	65	BLACK		E25
PACE	M333	ETB00359900	26X2.10	52-559	17-29	60	WIRE	640	DUAL	65	BLACK		E25
PACE	M333	ETB69309300	26X2.10	52-559	17-29	60	WIRE	651	SINGLE	65	BLACK		E25
PACE	M333	ETB91025300	27.5X1.75	42-584	17-24	60	FOLDABLE	488	SINGLE	65	BLACK		E25
PACE	M333	ETB91025200	27.5X1.75	42-584	17-24	60	WIRE	534	SINGLE	65	BLACK		E25
PACE	M333	ETB85908000	27.5X1.95	50-584	17-27	60	WIRE	606	DUAL	65	BLACK		E25
PACE	M333	ETB85908200	27.5X1.95	50-584	17-27	60	FOLDABLE	654	SINGLE	65	BLACK	SILKSHIELD	E25
PACE	M333	ETB85908100	27.5X1.95	50-584	17-27	60	WIRE	736	SINGLE	65	BLACK	SILKSHIELD	E25
PACE	M333	ETB90942100	27.5X2.10	53-584	17-29	60	FOLDABLE	590	SINGLE	65	BLACK		E25
PACE	M333	ETB00282000	27.5X2.10	53-584	17-29	60	WIRE	653	DUAL	65	BLACK		E25
PACE	M333	ETB00327900	29X2.10	53-622	17-29	60	WIRE	696	DUAL	65	BLACK		E25
PACE	M333	ETB96667100	29X2.10	53-622	17-29	60	FOLDABLE	628	SINGLE	65	BLACK		E25
PACE	M333RU	ETB96764100	29X2.10	53-622	17-29	60	FOLDABLE	689	DUAL	60	BLACK	EXO/TR	E25
SNYPER	M151	ETB49307200	24X2.00	50-507	17-27	60	FOLDABLE	616	DUAL	65	BLACK	SILKSHIELD	E25
SNYPER	M151	ETB49307300	24X2.00	50-507	17-27	60	WIRE	670	DUAL	65	BLACK	SILKSHIELD	E25

ENDURO

TREAD	MOLD #	PART #	SIZE	ETRTO	REC. RIM WIDTH (mm)	TPI	BEAD	WEIGHT (g)	COMPOUND	MAX PSI	COLOR	TECH	E-BIKE
AGGRESSOR	M343RU	ETB85984100	27.5X2.50WT	63-584	19-35	120X2	FOLDABLE	1244	DUAL	50	BLACK	DD/TR	E25
AGGRESSOR	M343RU	ETB96882100	29X2.30	58-622	19-30	120X2	FOLDABLE	1217	DUAL	60	BLACK	DD/TR	E25
AGGRESSOR	M343RU	ETB96870100	29X2.50WT	63-622	19-35	120X2	FOLDABLE	1325	DUAL	50	BLACK	DD/TR	E25
DISSECTOR	M357RU	ETB00240700	27.5X2.40WT	61-584	19-35	120X2	FOLDABLE	1083	3C MAXXGRIP	50	BLACK	3C/DD/TR	E25
DISSECTOR	M357RU	ETB00241400	29X2.40WT	61-622	19-35	120X2	FOLDABLE	1154	3C MAXXGRIP	50	BLACK	3C/DD/TR	E25
DISSECTOR	M357RU	ETB00350300	29X2.40WT	61-622	19-35	120X2	FOLDABLE	1184	3C MAXXTERRA	50	BLACK	3C/DD/TR	E25
MINION DHF	M301RU	ETB85975300	27.5X2.50WT	63-584	19-35	120X2	FOLDABLE	1244	3C MAXXGRIP	50	BLACK	3C/DD/TR	E25
MINION DHF	M301RU	ETB96785400	29X2.30	58-622	19-30	120X2	FOLDABLE	1243	3C MAXXTERRA	60	BLACK	3C/DD/TR	E25
MINION DHF	M301RU	ETB00132600	29X2.50WT	63-622	19-35	120X2	FOLDABLE	1325	3C MAXXGRIP	50	BLACK	3C/DD/TR	E25
MINION DHF	M301RU	ETB96800600	29X2.50WT	63-622	19-35	120X2	FOLDABLE	1326	3C MAXXTERRA	50	BLACK	3C/DD/TR	E25
MINION DHR II	M327RU	ETB85927400	27.5X2.30	58-584	19-30	120X2	FOLDABLE	1101	3C MAXXTERRA	60	BLACK	3C/DD/TR	E25
MINION DHR II	M327RU	ETB85962600	27.5X2.40WT	61-584	19-35	120X2	FOLDABLE	1186	3C MAXXTERRA	50	BLACK	3C/DD/TR	E25
MINION DHR II	M327RU	ETB00132400	27.5X2.40WT	61-584	19-35	120X2	FOLDABLE	1195	3C MAXXGRIP	50	BLACK	3C/DD/TR	E25
MINION DHR II	M327RU	ETB96776400	29X2.30	58-622	19-30	120X2	FOLDABLE	1173	3C MAXXTERRA	60	BLACK	3C/DD/TR	E25
MINION DHR II	M327RU	ETB00307900	29X2.40WT	61-622	19-35	120X2	FOLDABLE	1236	3C MAXXTERRA	50	BLACK	3C/DD/TR	E25
MINION DHR II	M327RU	ETB00087500	29X2.40WT	61-622	19-35	120X2	FOLDABLE	1267	3C MAXXGRIP	50	BLACK	3C/DD/TR	E25
HIGH ROLLER II	M325RU	ETB85983100	27.5X2.50WT	63-584	19-35	120X2	FOLDABLE	1195	3C MAXXTERRA	50	BLACK	3C/DD/TR	E25
HIGH ROLLER II	M325RU	ETB96803100	29X2.50WT	63-622	19-35	120X2	FOLDABLE	1273	3C MAXXTERRA	50	BLACK	3C/DD/TR	E25
ASSEGAI	M356RU	ETB00097500	27.5X2.50WT	63-584	19-35	120X2	FOLDABLE	1310	3C MAXXGRIP	50	BLACK	3C/DD/TR	E25
ASSEGAI	M356RU	ETB00097400	29X2.50WT	63-622	19-35	120X2	FOLDABLE	1395	3C MAXXGRIP	50	BLACK	3C/DD/TR	E25
SHORTY	M359RU	ETB00325100	27.5X2.40WT	61-584	19-35	120X2	FOLDABLE	1191	3C MAXXGRIP	50	BLACK	3C/DD/TR	E25
SHORTY	M359RU	ETB00312200	29X2.40WT	61-622	19-35	120X2	FOLDABLE	1268	3C MAXXGRIP	50	BLACK	3C/DD/TR	E25
SHORTY	M359RU	ETB00325000	27.5X2.40WT	61-584	19-35	60X2	FOLDABLE	1279	3C MAXXGRIP	50	BLACK	3C/DH/TR	E25
SHORTY	M359RU	ETB00265900	29X2.40WT	61-622	19-35	60X2	FOLDABLE	1363	3C MAXXGRIP	50	BLACK	3C/DH/TR	E25

DOWNHILL

TREAD	MOLD #	PART #	SIZE	ETRTO	REC. RIM WIDTH (mm)	TPI	BEAD	WEIGHT (g)	COMPOUND	MAX PSI	COLOR	TECH	E-BIKE	
DISSECTOR	M357RU	ETB00230900	27.5X2.40WT	61-584	19-35	60X2	FOLDABLE	1171	3C MAXXGRIP	50	BLACK	3C/DH/TR	E25	
DISSECTOR	M357RU	ETB00241100	29X2.40WT	61-622	19-35	60X2	FOLDABLE	1249	3C MAXXGRIP	50	BLACK	3C/DH/TR	E25	
MINION DHF	M301P	ETB50614000	24X2.40	61-507	19-35	60X2	WIRE	1189	3C MAXXGRIP	65	BLACK	3C/DH	E25	
MINION DHF	M301	ETB74265700	26X2.50	55-559	17-29	60X2	WIRE	1249	SINGLE	65	BLACK	DH	E25	
MINION DHF	M301	ETB74265000	26X2.50	55-559	17-29	60X2	WIRE	1272	SINGLE	65	BLACK	ST/DH	E25	
MINION DHF	M301RU	ETB85975700	27.5X2.50WT	63-584	19-35	60X2	FOLDABLE	1336	3C MAXXGRIP	50	BLACK	3C/DH/TR	E25	
MINION DHF	M301P	ETB85976100	27.5X2.50WT	63-584	19-35	60X2	WIRE	1422	SINGLE	50	BLACK	ST/DH	E25	
MINION DHF	M301P	ETB85976000	27.5X2.50WT	63-584	19-35	60X2	WIRE	1462	3C MAXXGRIP	50	BLACK	3C/DH	E25	
MINION DHF	M301RU	ETB96800700	29X2.50WT	63-622	19-35	60X2	FOLDABLE	1423	3C MAXXGRIP	50	BLACK	3C/DH/TR	E25	
NEW	MINION DHF	M301RU	ETB00435600	29X2.50WT	63-622	19-35	60X2	WIRE	1521	DUAL	50	BLACK	DH/TR/ BikePark	E25
	MINION DHR II	M327	ETB72907000	26X2.40	61-559	19-35	60X2	WIRE	1296	SINGLE	65	BLACK	DH	E25
	MINION DHR II	M327	ETB72907200	26X2.40	61-559	19-35	60X2	WIRE	1319	SINGLE	65	BLACK	ST/DH	E25
	MINION DHR II	M327RU	ETB85962700	27.5X2.40WT	61-584	19-35	60X2	FOLDABLE	1294	3C MAXXGRIP	50	BLACK	3C/DH/TR	E25
	MINION DHR II	M327	ETB91051100	27.5X2.40	61-584	19-35	60X2	WIRE	1365	SINGLE	65	BLACK	ST/DH	E25
	MINION DHR II	M327RU	ETB96797500	29X2.40WT	61-622	19-35	60X2	FOLDABLE	1379	3C MAXXGRIP	50	BLACK	3C/DH/TR	E25
NEW	MINION DHR II	M327RU	ETB00368500	29X2.40WT	61-622	19-35	60X2	WIRE	1462	DUAL	50	BLACK	DH/TR/ BikePark	E25
	HIGH ROLLER II	M325P	ETB74177600	26X2.40	61-559	19-35	60X2	WIRE	1319	SINGLE	65	BLACK	ST/DH	E25
	HIGH ROLLER II	M325RU	ETB91052000	27.5X2.40	61-584	19-35	60X2	FOLDABLE	1242	3C MAXXGRIP	60	BLACK	3C/DH/TR	E25
	HIGH ROLLER II	M325P	ETB85915100	27.5X2.40	61-584	19-35	60X2	WIRE	1365	SINGLE	65	BLACK	ST/DH	E25
	ASSEGAI	M356RU	ETB00017200	27.5X2.50WT	63-584	19-35	60X2	FOLDABLE	1402	3C MAXXGRIP	50	BLACK	3C/DH/TR	E25
	ASSEGAI	M356RU	ETB00064500	29X2.50WT	63-622	19-35	60X2	FOLDABLE	1493	3C MAXXGRIP	50	BLACK	3C/DH/TR	E25
NEW	ASSEGAI	M356RU	ETB00435500	29X2.50WT	63-622	19-35	60X2	WIRE	1567	DUAL	50	BLACK	DH/TR/ BikePark	E25

DOWNHILL

TREAD	MOLD #	PART #	SIZE	ETRTO	REC. RIM WIDTH (mm)	TPI	BEAD	WEIGHT (g)	COMPOUND	MAX PSI	COLOR	TECH	E-BIKE
SHORTY	M359RU	ETB00325000	27.5X2.40WT	61-584	19-35	60X2	FOLDABLE	1279	3C MAXXGRIP	50	BLACK	3C/DH/TR	E25
SHORTY	M359RU	ETB00265900	29X2.40WT	61-622	19-35	60X2	FOLDABLE	1363	3C MAXXGRIP	50	BLACK	3C/DH/TR	E25
WETSCREAM	M137RU	ETB00241500	29X2.50	55-622	17-29	60X2	FOLDABLE	1249	3C MAXXGRIP	50	BLACK	3C/DH/TR	E25

E-MTB

NEW

NEW

NEW

NEW

NEW

NEW

NEW

NEW

TREAD	MOLD #	PART #	SIZE	ETRTO	REC. RIM WIDTH (mm)	TPI	BEAD	WEIGHT (g)	COMPOUND	MAX PSI	COLOR	TECH	E-BIKE
FOREKASTER	M362eU	ETB00472500	27.5X2.40WT	61-584	19-35	60	FOLDABLE	902	3C MAXXTERRA	50	BLACK	3C/EXO+/TR	E50
FOREKASTER	M362eU	ETB00472400	29X2.40WT	61-622	19-35	60	FOLDABLE	971	3C MAXXTERRA	50	BLACK	3C/EXO+/TR	E50
MINION DHF	M301eU	ETB00472900	27.5X2.50WT	63-584	19-35	60X2	FOLDABLE	1336	3C MAXXGRIP	50	BLACK	3C/DH/TR	E50
MINION DHF	M301eU	ETB00472800	29X2.50WT	63-622	19-35	60X2	FOLDABLE	1423	3C MAXXGRIP	50	BLACK	3C/DH/TR	E50
MINION DHR II	M327eU	ETB00472700	27.5X2.40WT	61-584	19-35	60X2	FOLDABLE	1274	3C MAXXTERRA	50	BLACK	3C/DH/TR	E50
MINION DHR II	M327eU	ETB00472600	29X2.40WT	61-622	19-35	60X2	FOLDABLE	1358	3C MAXXTERRA	50	BLACK	3C/DH/TR	E50
ASSEGAI	M356eU	ETB00473100	27.5X2.50WT	63-584	19-35	60X2	FOLDABLE	1402	3C MAXXGRIP	50	BLACK	3C/DH/TR	E50
ASSEGAI	M356eU	ETB00473000	29X2.50WT	63-622	19-35	60X2	FOLDABLE	1493	3C MAXXGRIP	50	BLACK	3C/DH/TR	E50

FAT/PLUS

TREAD	MOLD #	PART #	SIZE	ETRTO	REC. RIM WIDTH (mm)	TPI	BEAD	WEIGHT (g)	COMPOUND	MAX PSI	COLOR	TECH	E-BIKE
REKON	M349	ETB96906100	27.5X2.80	71-584	39-45	120	FOLDABLE	961	3C MAXXTERRA	35	BLACK	3C/EXO/TR	E25
REKON	M349	ETB00260100	27.5X2.80	71-584	39-45	60	FOLDABLE	988	3C MAXXTERRA	35	TANWALL	3C/EXO/TR	E25
REKON	M349	ETB96906000	27.5X2.80	71-584	39-45	60	FOLDABLE	1014	DUAL	35	BLACK	EXO/TR	E25
REKON	M349	ETB00161200	27.5X2.80	71-584	39-45	60	FOLDABLE	1076	3C MAXXTERRA	35	BLACK	3C/EXO+/TR	E25
REKON	M349P	ETB00242900	27.5X2.80	71-584	39-45	60	WIRE	1088	DUAL	35	BLACK	EXO	E25
REKON	M349	ETB00038600	29X2.80	71-622	39-45	60	FOLDABLE	1089	DUAL	35	BLACK	EXO/TR	E25
MINION DHF	M301	ETB96908000	27.5X2.80	71-584	39-45	120	FOLDABLE	1081	3C MAXXTERRA	35	BLACK	3C/EXO/TR	E25

FAT/PLUS

TREAD	MOLD #	PART #	SIZE	ETRTO	REC. RIM WIDTH (mm)	TPI	BEAD	WEIGHT (g)	COMPOUND	MAX PSI	COLOR	TECH	E-BIKE
MINION DHF	M301	ETB96908100	27.5X2.80	71-584	39-45	60	FOLDABLE	1110	DUAL	35	BLACK	EXO/TR	E25
MINION DHF	M301	ETB00093800	27.5X2.80	71-584	39-45	60	FOLDABLE	1196	3C MAXXTERRA	35	BLACK	3C/EXO+/TR	E25
MINION DHF	M301	ETB96834000	29X3.00	76-622	39-45	120	FOLDABLE	1309	3C MAXXTERRA	30	BLACK	3C/EXO/TR	E25
MINION DHR II	M327	ETB96909000	27.5X2.80	71-584	39-45	120	FOLDABLE	1081	3C MAXXTERRA	35	BLACK	3C/EXO/TR	E25
MINION DHR II	M327	ETB96909100	27.5X2.80	71-584	39-45	60	FOLDABLE	1110	DUAL	35	BLACK	EXO/TR	E25
MINION DHR II	M327	ETB00113800	27.5X2.80	71-584	39-45	60	FOLDABLE	1196	3C MAXXTERRA	35	BLACK	3C/EXO+/TR	E25
MINION DHR II	M327	ETB96835200	29X3.00	76-622	39-45	120	FOLDABLE	1286	3C MAXXTERRA	30	BLACK	3C/EXO/TR	E25
HIGH ROLLER II	M325	ETB96910000	27.5X2.80	71-584	39-45	120	FOLDABLE	959	3C MAXXTERRA	35	BLACK	3C/EXO/TR	E25
HIGH ROLLER II	M325	ETB96910100	27.5X2.80	71-584	39-45	60	FOLDABLE	985	DUAL	35	BLACK	EXO/TR	E25

BMX/TRIALS

TREAD	MOLD #	PART #	SIZE	ETRTO	REC. RIM WIDTH (mm)	TPI	BEAD	WEIGHT (g)	COMPOUND	MAX PSI	COLOR	TECH
DTH	M147	ETB20352000	20X1-1/8	28-451	15-19	120	WIRE	262	DUAL	85	BLACK	SILKWORM
DTH	M147	ETB20629000	20X1-3/8	37-451	17-23	120	WIRE	350	DUAL	65	BLACK	SILKWORM
DTH	M147	ETB00409700	20X1.50	38-406	17-23	120	WIRE	387	DUAL	110	BLACK	EXO
DTH	M147	ETB00322200	20X1.75	44-406	17-25	120	FOLDABLE	373	DUAL	110	BLACK	EXO
DTH	M147	ETB00409800	20X1.75	44-406	17-25	120	WIRE	431	DUAL	110	BLACK	EXO
DTH	M147	ETB00322100	20X1.95	49-406	17-27	120	FOLDABLE	406	DUAL	110	BLACK	EXO
DTH	M147	ETB00409900	20X2.20	56-406	17-29	120	WIRE	613	DUAL	110	BLACK	EXO
DTH	M147	ETB47649000	24X1.75	44-507	17-25	120	WIRE	477	DUAL	65	BLACK	SILKWORM
DTH	M147P	ETB72683000	26X2.15	52/54-559	17-29	60	FOLDABLE	570	SINGLE	80	BLACK	
DTH	M147P	ETB00334100	26X2.15	52/54-559	17-29	60	FOLDABLE	620	SINGLE	80	TANWALL	EXO
DTH	M147P	ETB73301000	26X2.30	55/58-559	17-29	60	FOLDABLE	719	SINGLE	65	BLACK	

BMX/TRIALS

TREAD	MOLD #	PART #	SIZE	ETRTO	REC. RIM WIDTH (mm)	TPI	BEAD	WEIGHT (g)	COMPOUND	MAX PSI	COLOR	TECH
DTH	M147P	ETB00334400	26X2.30	55/58-559	17-29	60	FOLDABLE	773	SINGLE	65	TANWALL	EXO
DTH	M147P	ETB73300000	26X2.30	55/58-559	17-29	60	WIRE	803	SINGLE	65	BLACK	
DTH	M147P	ETB00334500	26X2.30	55/58-559	17-29	60	WIRE	859	SINGLE	65	TANWALL	EXO
TORCH	M149	ETB20354100	20X1-1/8	28-451	15-19	60	WIRE	296	DUAL	85	BLACK	SILKWORM
TORCH	M149	ETB20626100	20X1-3/8	37-451	17-23	60	WIRE	349	DUAL	100	BLACK	SILKWORM
TORCH	M149	ETB00356600	20X1.75	44-406	17-25	120	FOLDABLE	367	DUAL	110	BLACK	EXO
TORCH	M149	ETB00357100	20X1.95	49-406	17-27	120	FOLDABLE	410	DUAL	110	BLACK	EXO
TORCH	M149	ETB00357400	20X2.20	56-406	17-29	120	FOLDABLE	511	DUAL	110	BLACK	EXO
TORCH	M149	ETB47641000	24X1.75	44-507	17-25	120	WIRE	467	DUAL	65	BLACK	SILKWORM
TORCH	M149P	ETB96651200	29X2.10	53-622	17-29	120	FOLDABLE	652	SINGLE	65	BLACK	SILKWORM
TORCH	M149P	ETB96651100	29X2.10	53-622	17-29	60	FOLDABLE	666	SINGLE	65	BLACK	
GRIFTER	M148	ETB00357000	20X1.85	48-406	17-27	120	FOLDABLE	423	DUAL	110	BLACK	EXO
GRIFTER	M148	ETB00357200	20X2.10	53-406	17-29	120	FOLDABLE	490	DUAL	110	BLACK	EXO
GRIFTER	M148	ETB00357300	20X2.10	53-406	17-29	60X2	WIRE	664	DUAL	110	BLACK	
GRIFTER	M148	ETB00357900	20X2.30	58-406	19-30	120	FOLDABLE	537	DUAL	110	BLACK	EXO
GRIFTER	M148	ETB00360700	20X2.40	61-406	19-35	60X2	FOLDABLE	704	DUAL	110	BLACK	
GRIFTER	M148P	ETB96648100	29X2.00	50-622	17-27	60	FOLDABLE	656	SINGLE	65	BLACK	
GRIFTER	M148P	ETB96648000	29X2.00	50-622	17-27	60	WIRE	744	SINGLE	65	BLACK	
GRIFTER	M148P	ETB96802000	29X2.50	64-622	21-35	60	WIRE	914	SINGLE	65	BLACK	
GRIFTER	M148P	ETB00409500	29X2.50	64-622	21-35	60	WIRE	975	SINGLE	65	TANWALL	EXO
HOOKWORM	M121	ETB29461000	20X1.95	53-406	17-29	60X2	WIRE	720	SINGLE	110	BLACK	
HOOKWORM	M121	ETB50650300	24X2.50	61-507	19-35	60	WIRE	966	SINGLE	65	BLACK	
HOOKWORM	M121	ETB74255100	26X2.50	63-559	19-35	60	WIRE	1076	SINGLE	65	BLACK	
HOOKWORM	M121	ETB00327100	27.5X2.50	63-584	19-35	60	WIRE	1114	SINGLE	65	BLACK	
HOOKWORM	M121	ETB96805000	29X2.50	63-622	19-35	60	WIRE	1185	SINGLE	65	BLACK	

BMX/TRIALS												
TREAD	MOLD #	PART #	SIZE	ETRTO	REC. RIM WIDTH (mm)	TPI	BEAD	WEIGHT (g)	COMPOUND	MAX PSI	COLOR	TECH
HOLY ROLLER	M126	ETB20628000	20X1-3/8	37-451	17-23	60	WIRE	346	SINGLE	65	BLACK	SILKWORM
HOLY ROLLER	M126	ETB24748000	20X1.75	47-406	17-27	60	WIRE	432	SINGLE	60	BLACK	
HOLY ROLLER	M126	ETB29478000	20X1.95	53-406	17-29	60	WIRE	504	SINGLE	60	BLACK	
HOLY ROLLER	M126	ETB31020000	20X2.20	56-406	17-29	60	WIRE	568	SINGLE	60	BLACK	
HOLY ROLLER	M126	ETB49212000	24X1.85	50-507	17-27	60	WIRE	624	SINGLE	60	BLACK	
HOLY ROLLER	M126	ETB50611500	24X2.40	55-507	17-29	60	WIRE	757	SINGLE	65	BLACK	
HOLY ROLLER	M126	ETB72392000	26X2.20	52-559	17-29	60	WIRE	795	SINGLE	65	BLACK	
HOLY ROLLER	M126	ETB74180100	26X2.40	55-559	17-29	60	WIRE	850	SINGLE	65	BLACK	
CREEPY CRAWLER F	ETB29688100	20X2.00	54-406	54-406	60	17-29	WIRE	601	SINGLE	50	BLACK	ST
CREEPY CRAWLER R	ETB35877000	20X2.50	67-387	67-387	27X2	23-35	WIRE	977	SINGLE	50	BLACK	ST
DETONATOR	M203P	ETB00394300	20X1*3/8	37-451	17-23	60	WIRE	325	SINGLE	80	BLACK	
DETONATOR	M203P	ETB00394400	20X1*3/8	37-451	17-23	60	WIRE	337	SINGLE	80	BLACK	SILKWORM
DETONATOR	M203P	ETB00394500	20X1.50	38-406	17-23	60	WIRE	308	SINGLE	65	BLACK	
DETONATOR	M203P	ETB00394600	20X1.50	38-406	17-23	60	WIRE	319	SINGLE	65	BLACK	SILKWORM
MAXXDADDY	M110	ETB29682000	20X2.00	54-406	17-29	60	WIRE	526	SINGLE	40	BLACK	
M-TREAD	M141	ETB30696000	20X2.10	53-406	17-29	60X2	WIRE	851	SINGLE	110	BLACK	

TUBES

PART #	SIZE	ETRT0	WEIGHT (g)	VALVE TYPE	NOTE
SKEIB698802000000	700X18/25C	18/25-622	50	FVSEP	FLYWEIGHT
SKEIB698861000000	700X18/25C	18/25-622	51	FVSEP48	FLYWEIGHT
SKEIB698782000000	700X18/25C	18/25-622	52	FVSEP60	FLYWEIGHT
SKEIB638841000000	26X1.90/2.125	50/54-559	94	FVSEP	FLYWEIGHT
SKEIB638900000000	26X1.90/2.125	50/54-559	95	SV	FLYWEIGHT
SKEIB638872000000	26X1.90/2.125	50/54-559	96	FVSEP48	FLYWEIGHT
SKEIB638982000000	26X1.90/2.125	50/54-559	97	FVSEP60	FLYWEIGHT
SKEIB751200000000	27.5X1.9/2.125	50/54-584	110	FVSEP	FLYWEIGHT
SKEIB968450000000	29X1.9/2.125	50/54-622	116	FVSEP	FLYWEIGHT
EIB51596200	650X18/25C	18/25-571	69	FVSEP48	ULTRALIGHT
EIB00100000	700X23/32C	23/32-622	75	LFVSEP48	ULTRALIGHT
EIB00136400	700X23/32C	23/32-622	76	LFVSEP60	ULTRALIGHT
EIB00141400	700x33/50	33/50-622	100	LFVSEP48	ULTRALIGHT
EIB00141500	700x33/50	33/50-622	101	LFVSEP60	ULTRALIGHT
EIB25400000	20X1.50/1.75	40/44/406	83	LSV	ULTRALIGHT
EIB24078700	20X1.50/1.75	40/44-406	83	LFVSEP	ULTRALIGHT
EIB29520000	20X1.90/2.125	50/54-406	96	LSV	ULTRALIGHT
EIB29566100	20X1.90/2.125	50/54-406	96	LFVSEP	ULTRALIGHT
EIB60059100	26X1.50/1.75	40/44-559	110	FVSEP60	ULTRALIGHT
EIB00141000	26X1.50/2.50	40/63-559	126	LFVSEP48	ULTRALIGHT
EIB00141100	26X1.50/2.50	40/63-559	129	LSV48	ULTRALIGHT
EIB63832100	26X1.90/2.125	50/54-559	127	FVSEP60	ULTRALIGHT
EIB00139600	27.5X1.75/2.4	44/61-584	146	LFVSEP48	ULTRALIGHT
EIB00139700	27.5X1.75/2.4	44/61-584	149	LSV48	ULTRALIGHT
EIB00140400	29X1.75/2.4	44/61-622	155	LFVSEP48	ULTRALIGHT
EIB00140500	29X1.75/2.4	44/61-622	157	LSV48	ULTRALIGHT

TUBES

PART #	SIZE	ETRT0	WEIGHT (g)	VALVE TYPE	NOTE
EIB00099900	700X23/32C	23/32-622	95	LFVSEP48	WELTER WEIGHT
EIB00136200	700X23/32C	23/32-622	96	LFVSEP60	WELTER WEIGHT
EIB00136300	700X23/32C	23/32-622	97	LFVSEP80	WELTER WEIGHT
EIB81558000	700X18/25, 27X7/8-1	18/25-622/630	83	SV	WELTER WEIGHT
EIB81559000	700X18/25, 27X7/8-1	18/25-622/630	86	SV48	WELTER WEIGHT
EIB00137300	700x33/50	33/50-622	128	LFVSEP48	WELTER WEIGHT
EIB00137400	700x33/50	33/50-622	129	LFVSEP60	WELTER WEIGHT
EIB00137200	700x33/50	33/50-622	130	LSV48	WELTER WEIGHT
EIB14205000	16X1.90/2.125	50/54-305	97	LSV	WELTER WEIGHT
EIB00160900	20X1.0/1.5	25/40-406	72	LFVSEP48	WELTER WEIGHT
EIB00160700	20X1.0/1.5	25/40-406	74	LSV48	WELTER WEIGHT
EIB23940600	20X1.3/1.5	33/40-406	88	FVSEP48	WELTER WEIGHT
EIB23952600	20X1.3/1.5	33/40-406	90	SV48	WELTER WEIGHT
EIB22992000	20X1X1/4-1X3/8	32-440	107	LSV	WELTER WEIGHT
EIB22994000	20X1X1/4-1X3/8	32-440	107	LFVSEP	WELTER WEIGHT
EIB00160500	20X1.5/2.5	40/63-406	122	LFVSEP48	WELTER WEIGHT
EIB00160300	20X1.5/2.5	40/63-406	125	LSV48	WELTER WEIGHT
EIB29513200	20X1.90/2.125	50/54-406	121	FVSEP	WELTER WEIGHT
EIB29513000	20X1.90/2.125	50/54-406	122	LSV	WELTER WEIGHT
EIB00159700	24X1.5/2.5	40/63-507	148	LFVSEP48	WELTER WEIGHT
EIB00159500	24X1.5/2.5	40/63-507	151	LSV48	WELTER WEIGHT

TUBES

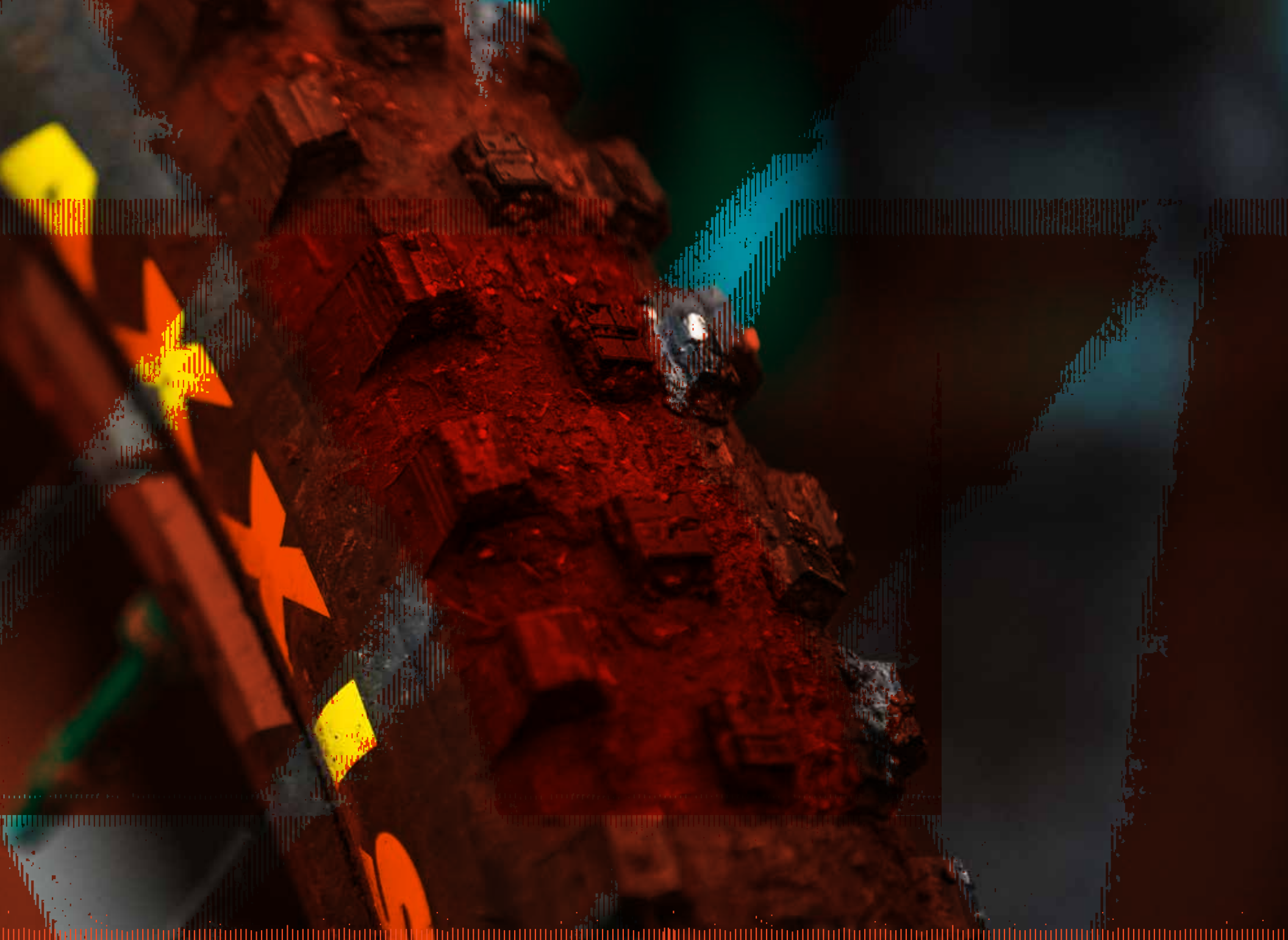
PART #	SIZE	ETRT0	WEIGHT (g)	VALVE TYPE	NOTE
EIB48713200	24X1.90/2.125	50/54-507	148	LFVSEP	WELTER WEIGHT
EIB48701000	24X1.90/2.125	50/54-507	148	LSV	WELTER WEIGHT
EIB00160100	24X2.0/3.0	50/76-507	199	LFVSEP48	WELTER WEIGHT
EIB00159900	24X2.0/3.0	50/76-507	200	LSV48	WELTER WEIGHT
EIB51707100	26X1.0/1.25	25/32-559	86	FVSEP	WELTER WEIGHT
EIB51709100	26X1.0/1.25	25/32-559	87	FVSEP48	WELTER WEIGHT
EIB00137000	26X1.50/2.50	40/63-559	162	LFVSEP48	WELTER WEIGHT
EIB63464300	26X1.90/2.125	50/54-559	163	FVSEP60	WELTER WEIGHT
EIB00137100	26X1.50/2.50	40/63-559	165	LSV48	WELTER WEIGHT
EIB75081700	27.5X1.5/1.75	40/44-584	143	FVSEP	WELTER WEIGHT
EIB75081400	27.5X1.5/1.75	40/44-584	144	FVSEP48	WELTER WEIGHT
EIB75071100	27.5X1.5/1.75	40/44-584	144	SV	WELTER WEIGHT
EIB75071200	27.5X1.5/1.75	40/44-584	147	SV48	WELTER WEIGHT
EIB00139800	27.5X1.75/2.4	44/61-584	188	LFVSEP48	WELTER WEIGHT
EIB00139900	27.5X1.75/2.4	44/61-584	190	LSV48	WELTER WEIGHT
EIB00140000	27.5X2.0/3.0	50/76-584	225	LFVSEP48	WELTER WEIGHT
EIB00140100	27.5X2.0/3.0	50/76-584	225	LSV48	WELTER WEIGHT
EIB00140600	29X1.75/2.4	44/61-622	200	LFVSEP48	WELTER WEIGHT
EIB00140700	29X1.75/2.4	44/61-622	202	LSV48	WELTER WEIGHT
EIB00140800	29X2.0/3.0	50/76-622	239	LFVSEP48	WELTER WEIGHT
EIB00140900	29X2.0/3.0	50/76-622	239	LSV48	WELTER WEIGHT

TUBES

PART #	SIZE	ETRT0	WEIGHT (g)	VALVE TYPE	NOTE
EIB67445000	26X2.20/2.50	50/76-622	292	SV	FREERIDE
EIB67446800	26X2.20/2.50	56/63-559	292	FVSEP	FREERIDE
EIB67447400	26X2.20/2.50	56/63-559	292	FVSEP48	FREERIDE
EIB67445600	26X2.20/2.50	56/63-559	295	SV48	FREERIDE
EIB75109200	27.5X2.2/2.5	56/63-584	317	LFVSEP48	FREERIDE
EIB75102000	27.5X2.2/2.5	56/63-584	326	SV	FREERIDE
EIB75102200	27.5X2.2/2.5	56/63-584	326	LSV48	FREERIDE
EIB75105100	27.5X2.2/2.5	56/63-584	326	FVSEP	FREERIDE
EIB75109100	27.5X2.2/2.5	56/63-584	327	FVSEP48	FREERIDE
EIB00095200	29X2.2/2.5	56/63-622	347	SV	FREERIDE
EIB00095100	29X2.2/2.5	56/63-622	347	FVSEP	FREERIDE
EIB00095000	29X2.2/2.5	56/63-622	348	FVSEP48	FREERIDE
EIB49959900	24X2.50/2.70	63/68-507	423	FVSEP	DOWNHILL
EIB49963000	24X2.50/2.70	63/68-507	423	SV	DOWNHILL
EIB68560100	26X2.50/2.70	63/68-559	460	FVSEP	DOWNHILL
EIB68566000	26X2.50/2.70	63/68-559	460	SV	DOWNHILL
EIB68562200	26X2.50/2.70	63/68-559	460	FVSEP48	DOWNHILL
EIB00097400	29X2.2/2.5	56/63-622	433	SV	DOWNHILL
EIB00097500	29X2.2/2.5	56/63-622	433	FVSEP	DOWNHILL
EIB00097600	29X2.2/2.5	56/63-622	434	FVSEP48	DOWNHILL
EIB00141200	26X3.0/5.0	76/127-559	431	LFVSEP48	FAT/PLUS
EIB00141300	26X3.0/5.0	76/127-559	431	LSV48	FAT/PLUS
EIB75507000	27.5X2.5/3.0	63/76-584	503	FVSEP	FAT/PLUS
EIB75517000	27.5X2.5/3.0	63/76-584	503	SV	FAT/PLUS
EIB00140200	27.5X3.0/5.0	76/127-584	440	LFVSEP48	FAT/PLUS
EIB00140300	27.5X3.0/5.0	76/127-584	440	LSV48	FAT/PLUS

TIRE SAFETY

- CONSULT YOUR OWNER'S MANUAL FOR SPECIFIC TIRE INFORMATION.
- CLEARANCE AROUND TIRES MUST BE MAINTAINED. INCREASED TIRE SIZE MAY REQUIRE AN INCREASED RIM WIDTH.
- INSPECT TIRES CLOSELY FOR SUFFICIENT CLEARANCE.
- ALWAYS WEAR PROTECTIVE EYEWEAR WHEN INSTALLING INNER TUBES OR TIRES.
- WHEN REPLACING TIRES, BE SURE TO ALSO REPLACE THE INNER TUBES. STRETCHED INNER TUBES CAN CREASE AND FAIL DUE TO THINNING OF THE INNER TUBE RUBBER.
- CONSULT YOUR BICYCLE PROFESSIONAL FOR CORRECT RIM STRIP REPLACEMENT.
- MAKE SURE YOUR TUBE SIZE MARKINGS MATCH THE TIRE SIZE.
- USE TIRE ONLY FOR DESIGNATED TERRAIN, ON AN APPROPRIATE BICYCLE AND USING PROPER SAFETY EQUIPMENT AT ALL TIMES.
- FOLLOW TIRE PRESSURE GUIDELINES LOCATED ON YOUR TIRE.
- CHECK TIRE PRESSURE BEFORE EVERY RIDE.
- CHECK YOUR VALVE CORES FOR DAMAGE. IF VALVE CORES ARE DAMAGED, REPLACE THEM.
- CHECK YOUR TIRES FOR DAMAGE BEFORE AND AFTER RIDING. PUNCTURED, CRACKED, BULGING OR BLISTERED TIRES SHOULD BE REPLACED IMMEDIATELY. IF DAMAGED TIRES ARE NOT REPLACED, SUDDEN AND COMPLETE TIRE FAILURE CAN OCCUR.
- CHECK TO ENSURE THAT THE BEADS OF THE TIRES ARE FULLY AND EVENLY SEATED AROUND THE ENTIRE CIRCUMFERENCE OF THE RIMS BEFORE EVERY RIDE.
- AFTER REPLACING WORN TIRES, TAKE TIME TO BECOME ACQUAINTED WITH THE HANDLING AND PERFORMANCE OF YOUR NEW TIRES.
- DO NOT CUT, SIPE OR OTHERWISE MODIFY YOUR TIRES.
- CHECK FOR BROKEN OR DAMAGED SPOKES AND REPLACE AS NECESSARY.
- REPLACE BENT OR DAMAGED RIMS OR WHEELS IMMEDIATELY.
- LIQUID SEALANTS SHOULD ONLY BE USED IN THE FOLLOWING TYPES OF TIRES: TUBELESS ROAD, TUBULAR AND TUBELESS-READY. THE USE OF LIQUID SEALANTS IN ANY OTHER MAXXIS TIRE WILL VOID THE WARRANTY.
- TUBE-TYPE TIRES SHOULD ONLY BE USED IN CONJUNCTION WITH AN INNER TUBE ON AN APPROVED RIM.
- DO NOT STORE TIRES IN DIRECT SUNLIGHT FOR EXTENDED PERIODS OF TIME.
- ALLOWING TIRES TO STAND IN OIL, GASOLINE OR OTHER CHEMICALS MAY HAVE AN ADVERSE EFFECT ON THE RUBBER COMPOUNDS OF THE TIRE.
- FAILURE TO FOLLOW THESE GUIDELINES CAN RESULT IN ACCELERATED TREAD WEAR AND MAY CAUSE CATASTROPHIC TIRE FAILURE.



MAXXIS
MAXXIS.COM